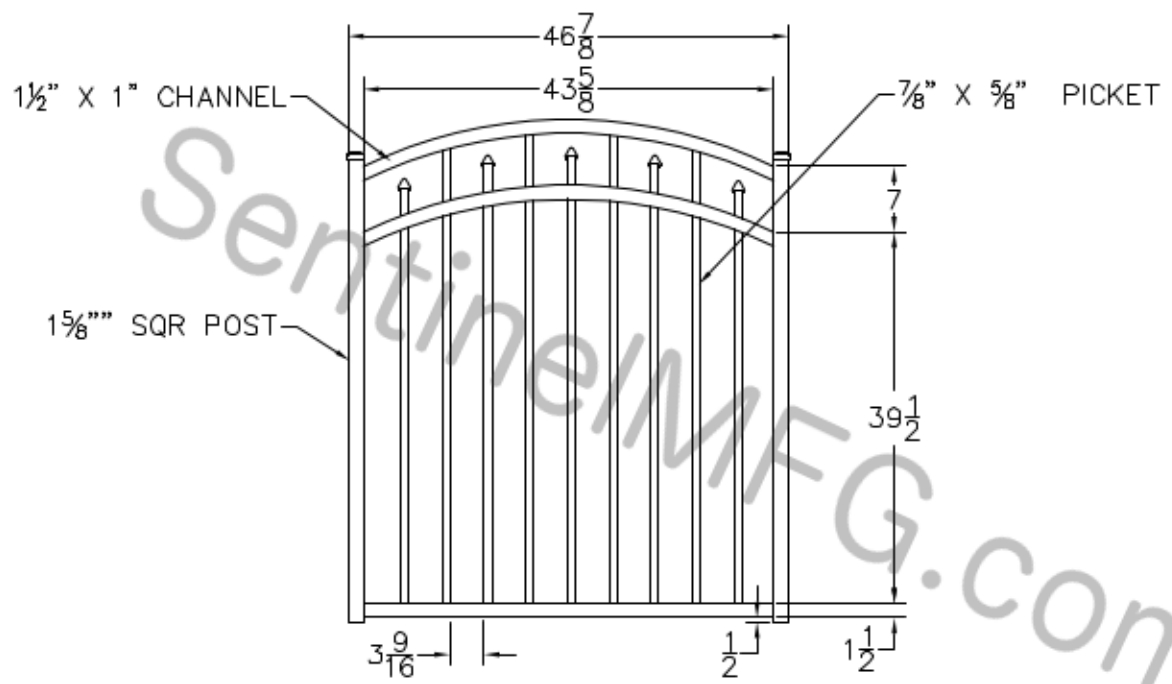


SIZE	REV	DESCRIPTION	DATE	APPROVED
-	NC	INITIAL RELEASE		
-	01	CREATE FROM DU-R-48HX48W-AR	05/03/12	



- NOTES:
1. ALL DIMENSIONS IN INCHES.
 2. INSTALL POSTS PER STANDARD CONSTRUCTION PRACTICES

SENTINEL MFG.
 1527 NC HWY 711
 LUMBERTON, NC 28360
 (910) 735-1351

DRAWING:
 REGAL GRADE
 OUTBACK GATE - ARCHED
 48" HT X 48W- DROP RAIL

SIZE	DWG NO.	REV
D	DU-R-48HX48W-AR-DR	NC
SCALE	DATE	SHEET
	03-28-06	1 OF 1

© 2004. This drawing may not be altered or reproduced without the permission of SENTINEL MFG.