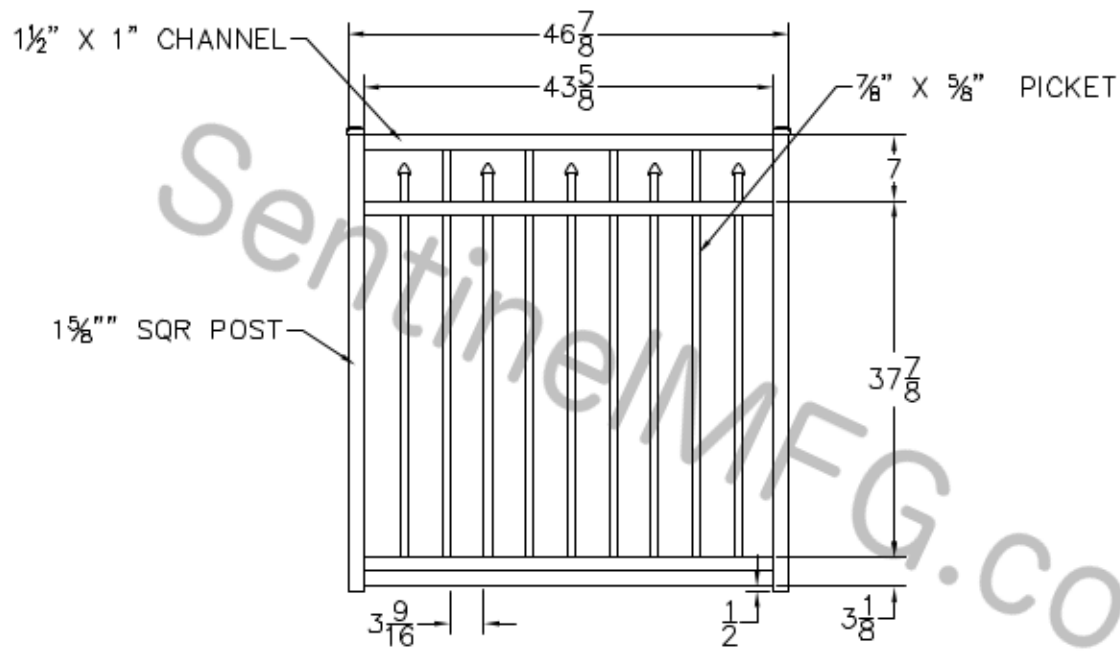


REV	DESCRIPTION	DATE	APP'D
- NC	INITIAL RELEASE		
- 01	CREATE FROM OU-R-48HX48W	03/03/12	



- NOTES:
1. ALL DIMENSIONS IN INCHES.
 2. INSTALL POSTS PER STANDARD CONSTRUCTION PRACTICES

SENTINEL MFG.
 1527 NC HWY 711
 LUMBERTON, NC 28360
 (910) 735-1351

DRAWING:
 REGAL GRADE
 OUTBACK GATE -
 48" HT X 48"W - HEAVY DUTY

© 2004. This drawing may not be altered or reproduced without the permission of SENTINEL MFG.

SIZE	DWG NO.	REV
D	OU-R-48HX48W-HD	NC
SCALE	DATE	SHEET
	03-28-06	1 OF 1