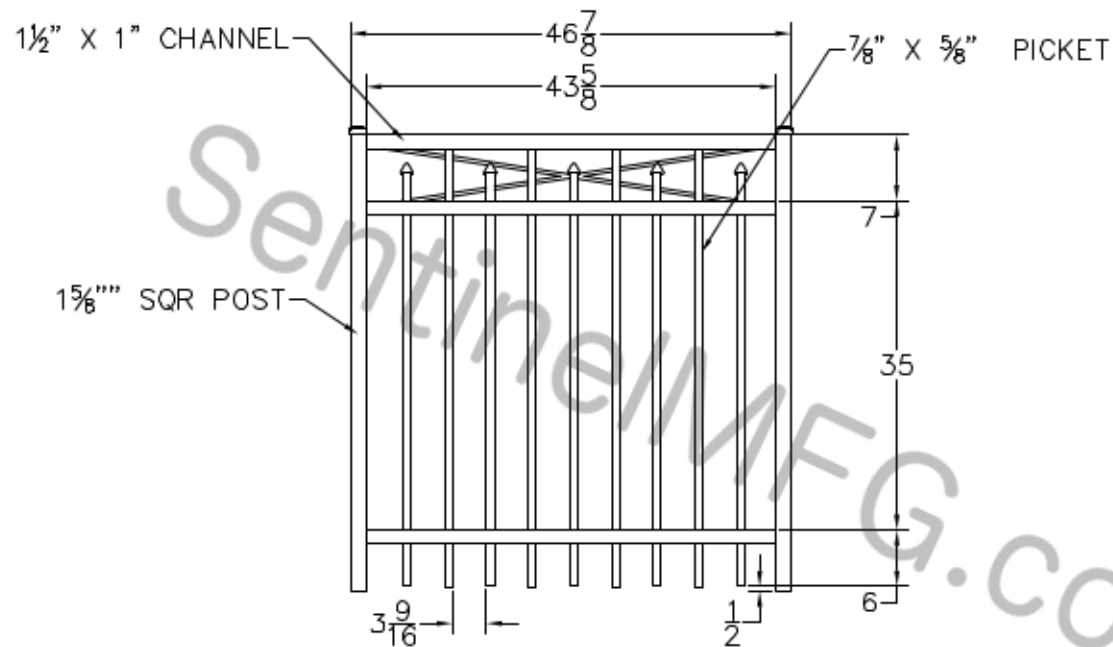


| DATE | REV | DESCRIPTION | BY | APP'D |
|------|-----|--------------------------|----|----------|
| - | NC | INITIAL RELEASE | | |
| - | 01 | CREATE FROM OU-R-72HX48W | | 04/23/12 |



OUTSIDE VIEW

- NOTES:
1. ALL DIMENSIONS IN INCHES.
 2. INSTALL POSTS PER STANDARD CONSTRUCTION PRACTICES

SENTINEL MFG.
 1527 NC HWY 711
 LUMBERTON, NC 28360
 (910) 735-1351

DRAWING:
 REGAL GRADE
 OUTBACK GATE -
 48" HT X 48" WD

© 2004. This drawing may not be altered or reproduced without the permission of SENTINEL MFG.

| | | | | | |
|-------|---|---------|--------------|-------|--------|
| SIZE | D | DWG NO. | OU-R-48HX48W | REV | NC |
| SCALE | | DATE | 03-29-06 | SHEET | 1 OF 1 |