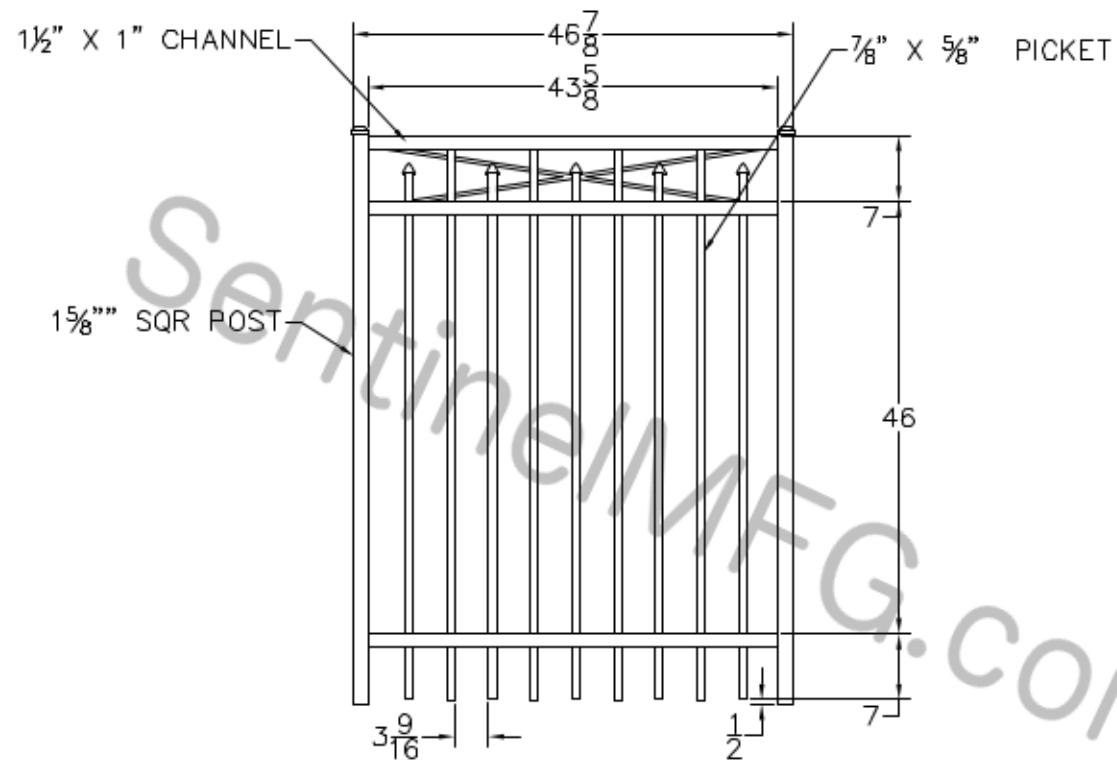


DATE	BY	REVISION	CHK	APPR
-	NC	INITIAL RELEASE		
-	OT	CREATE FROM OU-R-72HX48W		04/23/12



- NOTES:
1. ALL DIMENSIONS IN INCHES.
  2. INSTALL POSTS PER STANDARD CONSTRUCTION PRACTICES

SENTINEL MFG.  
 1527 NC HWY 711  
 LUMBERTON, NC 28360  
 (910) 735-1351

DRAWING:  
 REGAL GRADE  
 OUTBACK GATE -  
 60" HT X 48" WD

© 2004. This drawing may not be altered or reproduced without the permission of SENTINEL MFG.

SIZE	DWG NO.	REV
D	OU-R-60HX48W	NC
SCALE	DATE	SHEET
	03-29-06	1 OF 1