

8 7 6 5 4 3 2 1

REV	DESCRIPTION	DATE	APP'D
01	INITIAL RELEASE		
01	REVISE GD. NAME, DRAWING NAME & NUMBER	04/23/12	

D

C

B

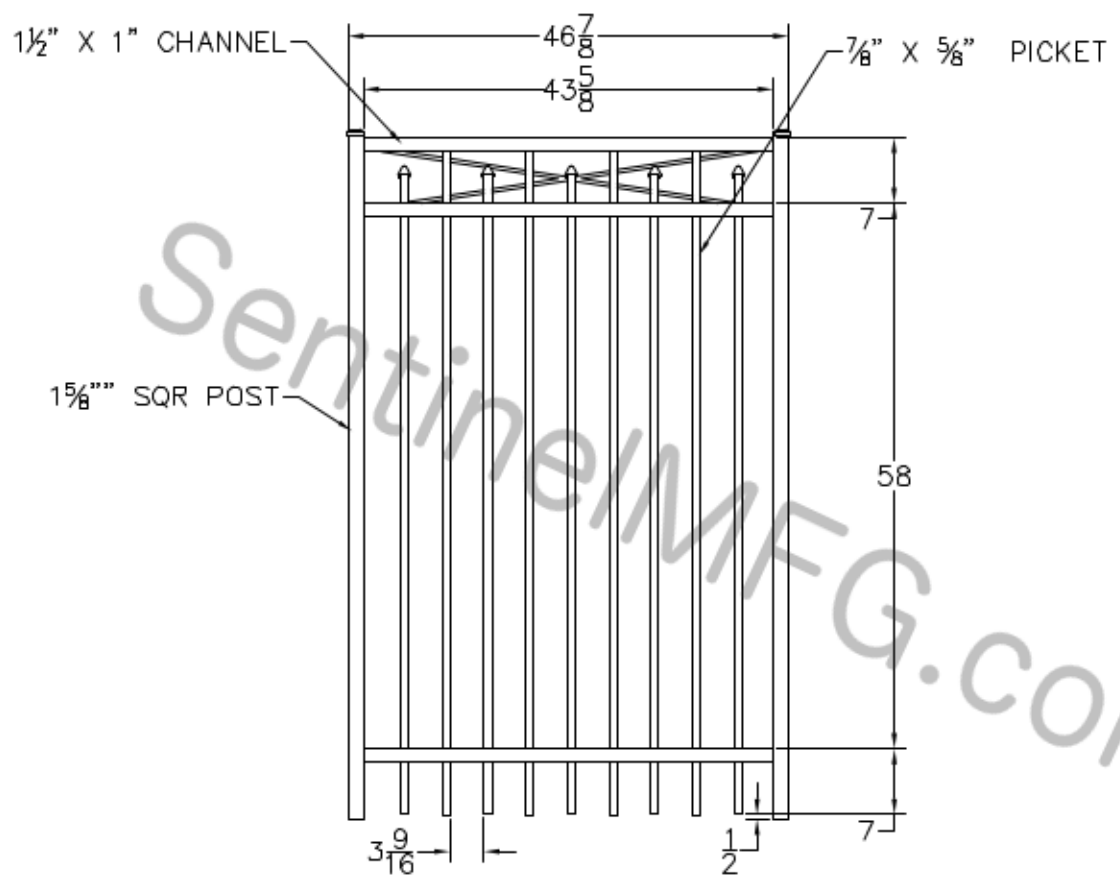
A

D

C

B

A



OUTSIDE VIEW

- NOTES:
1. ALL DIMENSIONS IN INCHES.
 2. INSTALL POSTS PER STANDARD CONSTRUCTION PRACTICES

SENTINEL MFG.
 1527 NC HWY 711
 LUMBERTON, NC 28360
 (910) 735-1351

DRAWING:
 REGAL GRADE
 OUTBACK GATE -
 72" HT X 48" WD

SIZE	DWG NO.	REV
D	OU-R-72HX48W	NC
SCALE	DATE	SHEET
	03-29-06	1 OF 1

© 2004. This drawing may not be altered or reproduced without the permission of SENTINEL MFG.

8 7 6 5 4 3 2 1