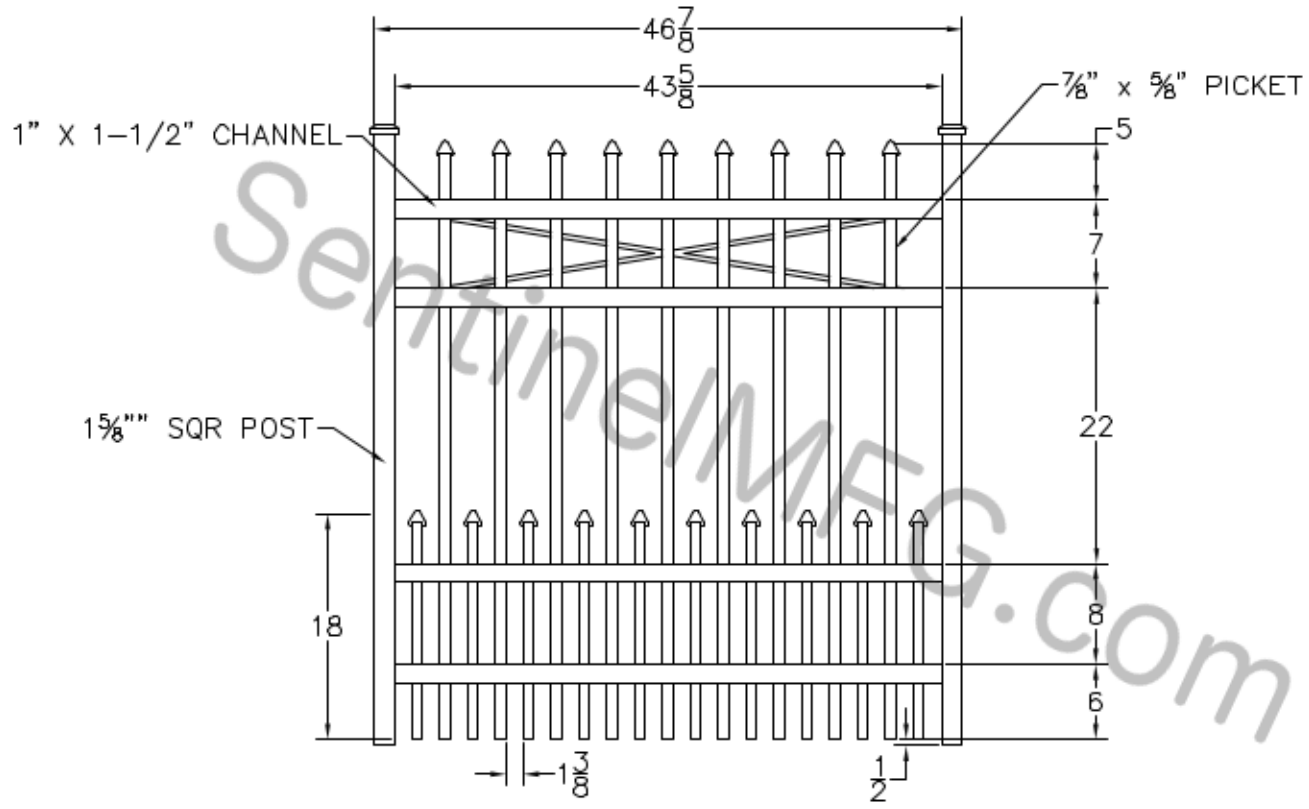


DATE	REV	DESCRIPTION	BY	APPR
-	NC	INITIAL RELEASE		
-	01	CREATE FROM AP-R-48x48		03/17/12



- NOTES:
1. ALL DIMENSIONS IN INCHES.
 2. INSTALL POSTS PER STANDARD CONSTRUCTION PRACTICES

SENTINEL MFG.
 1527 NC HWY 711
 LUMBERTON, NC 28360
 (910) 735-1351

DRAWING:
 REGAL GRADE
 PUPPY PICKET GATE -
 48" HT X 48 W-APPALACHIAN

SIZE	DWG. NO.	REV
D	PP-R-48Hx48W-AP	NC
SCALE	DATE	SHEET
	06-06-05	1 OF 1

© 2004. This drawing may not be altered or reproduced without the permission of SENTINEL MFG.