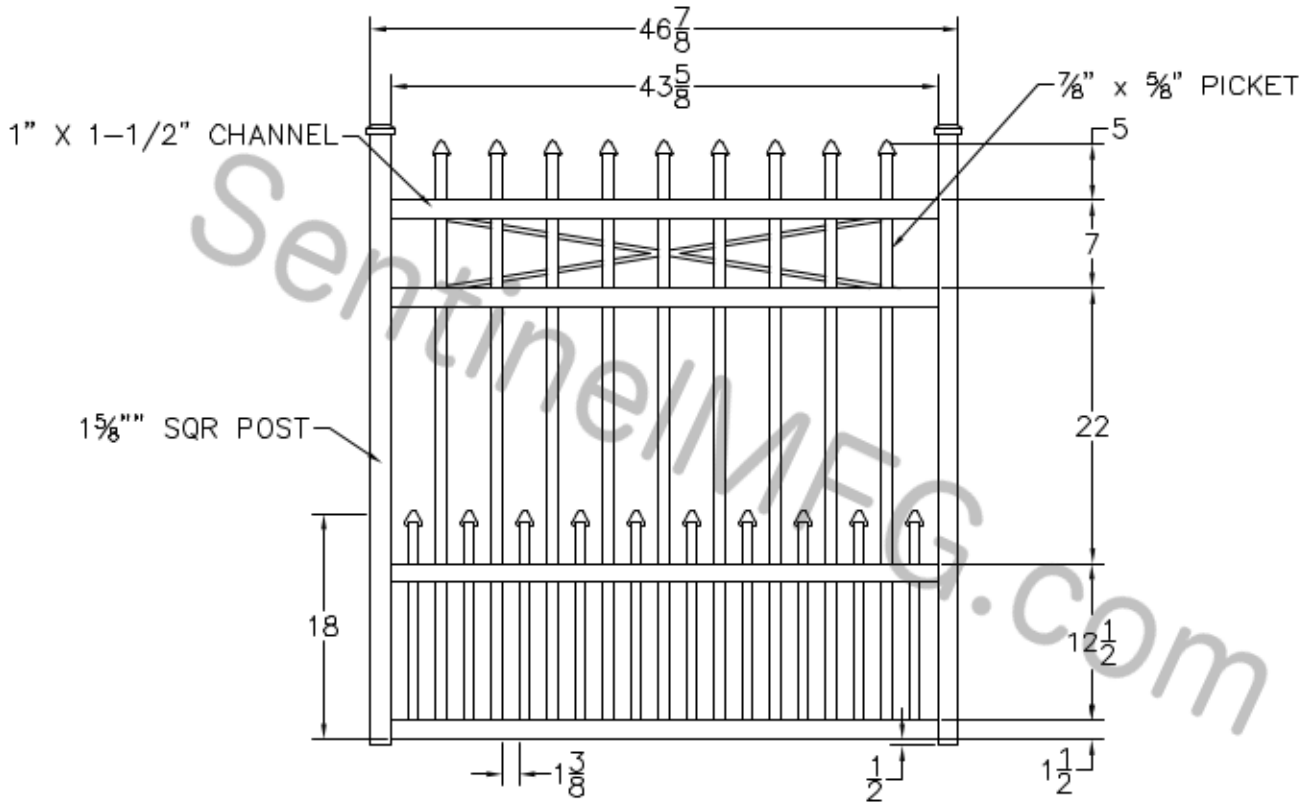


| DATE | REV | DESCRIPTION                 | BY | APPV  |
|------|-----|-----------------------------|----|-------|
| -    | NC  | INITIAL RELEASE             |    |       |
| -    | 01  | CREATE FROM PP-R-48Hx48W-AP | CS | 10/12 |



- NOTES:
1. ALL DIMENSIONS IN INCHES.
  2. INSTALL POSTS PER STANDARD CONSTRUCTION PRACTICES

SENTINEL MFG.  
 1527 NC HWY 711  
 LUMBERTON, NC 28360  
 (910) 735-1351

DRAWING:  
 REGAL GRADE - DROP RAIL  
 PUPPY PICKET GATE -  
 48" HT X 48 W-APPALACHIAN

|       |                    |        |
|-------|--------------------|--------|
| SIZE  | DWG NO.            | REV    |
| D     | PP-R-48Hx48W-DR-AP | NC     |
| SCALE | DATE               | SHEET  |
|       | 06-06-05           | 1 OF 1 |

© 2004. This drawing may not be altered or reproduced without the permission of SENTINEL MFG.

OUTSIDE VIEW