

8 7 6 5 4 3 2 1

NO.	REV.	DESCRIPTION	DATE	APPROVED
-	NC	INITIAL RELEASE		
-	01	CREATE FROM PP-R-48Hx48W-HD-AP	05/18/12	

D

D

C

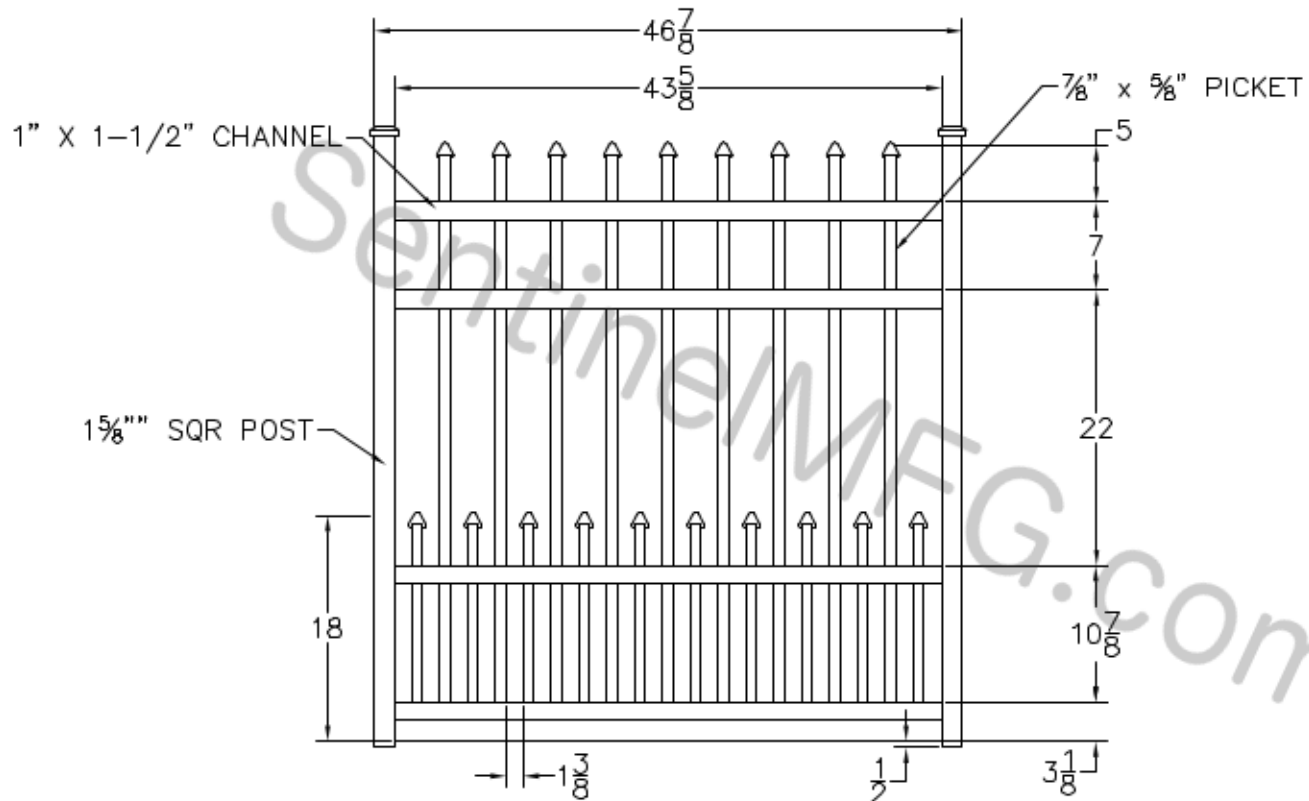
C

B

B

A

A



OUTSIDE VIEW

- NOTES:
1. ALL DIMENSIONS IN INCHES.
 2. INSTALL POSTS PER STANDARD CONSTRUCTION PRACTICES

SENTINEL MFG.
 1527 NC HWY 711
 LUMBERTON, NC 28360
 (910) 735-1351

DRAWING:
 REGAL GRADE - HEAVY DUTY
 PUPPY PICKET GATE -
 48" HT X 48 W-APPALACHIAN

© 2004. This drawing may not be altered or reproduced without the permission of SENTINEL MFG.

SIZE	DWG. NO.	REV.
D	PP-R-48Hx48W-HD-AP	NC
SCALE	DATE	SHEET
	06-06-05	1 OF 1

8 7 6 5 4 3 2 1