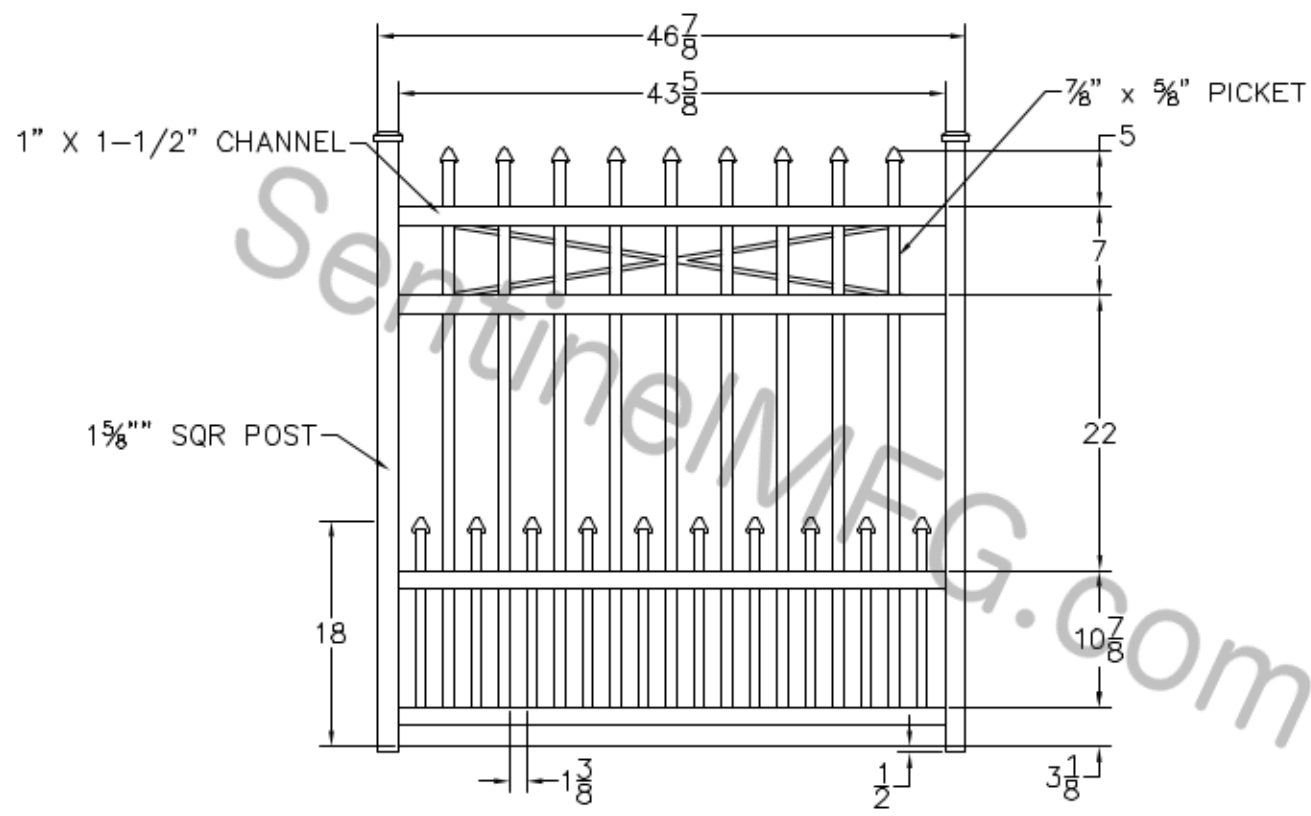


REV	DESCRIPTION	DATE	APPROVED
01	CREATE FROM PP-R-48Hx48W-SHD-AP	03/18/12	
00	INITIAL RELEASE		



- NOTES:
1. ALL DIMENSIONS IN INCHES.
 2. INSTALL POSTS PER STANDARD CONSTRUCTION PRACTICES

SENTINEL MFG.
 1527 NC HWY 711
 LUMBERTON, NC 28360
 (910) 735-1351

DRAWING:
 REGAL GRADE – SUPER HEAVY
 DUTY- PUPPY PICKET GATE –
 48" HT X 48 W-APPALACHIAN

© 2004. This drawing may not be altered or reproduced without the permission of SENTINEL MFG.

SIZE	DWG NO.	REV
D	PP-R-48Hx48W-SHD-AP	NC
SCALE	DATE	SHEET
	06-06-05	1 OF 1