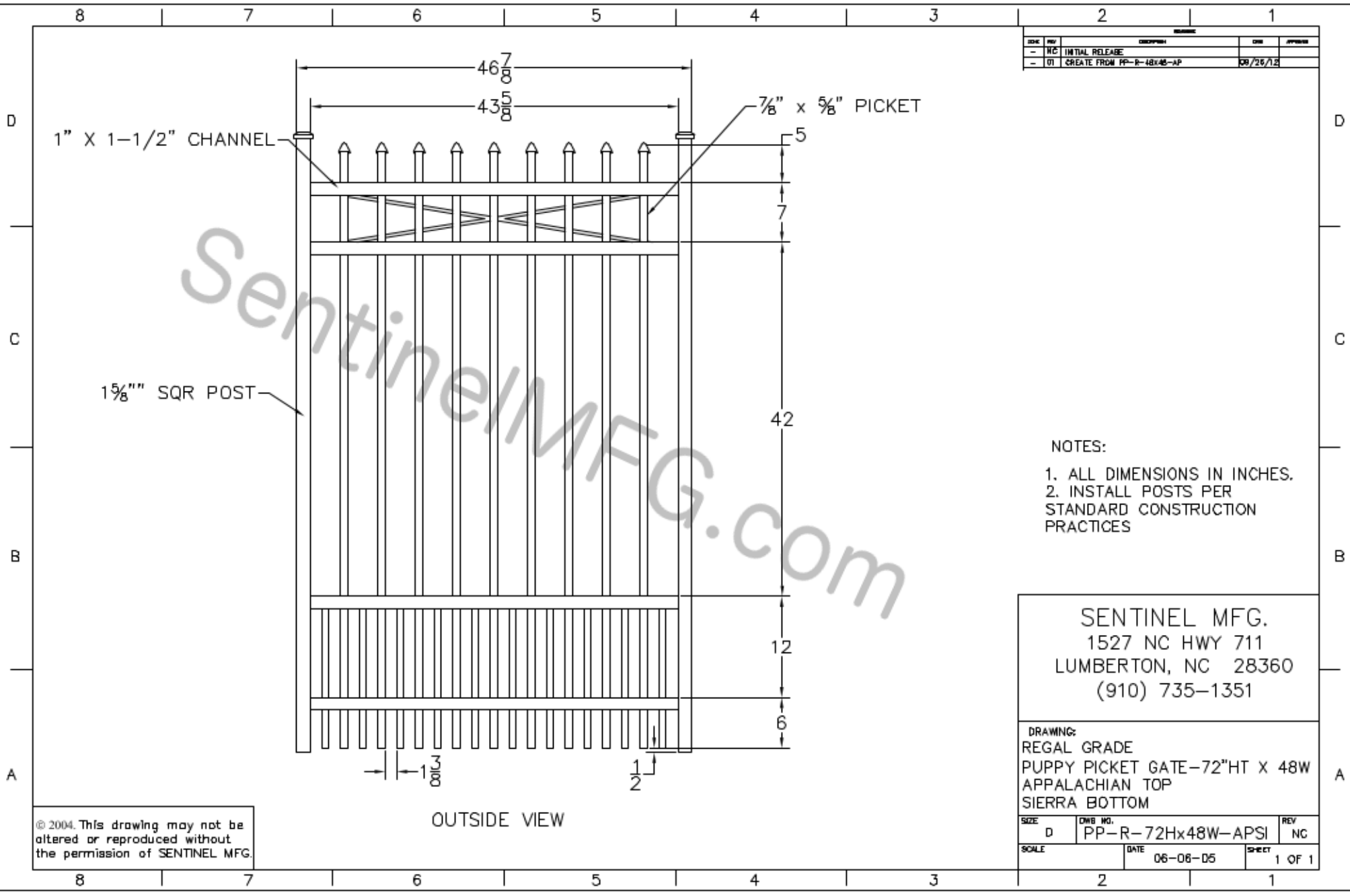


REV	DESCRIPTION	DATE	APP'D
01	CREATE FROM PP-R-48x48-AP	09/26/12	



- NOTES:
1. ALL DIMENSIONS IN INCHES.
 2. INSTALL POSTS PER STANDARD CONSTRUCTION PRACTICES

SENTINEL MFG.
 1527 NC HWY 711
 LUMBERTON, NC 28360
 (910) 735-1351

DRAWING:
 REGAL GRADE
 PUPPY PICKET GATE-72"HT X 48W
 APPALACHIAN TOP
 SIERRA BOTTOM

SIZE	D	DWG NO.	PP-R-72Hx48W-APSI	REV	NC
SCALE		DATE	06-06-05	SHEET	1 OF 1

© 2004. This drawing may not be altered or reproduced without the permission of SENTINEL MFG.