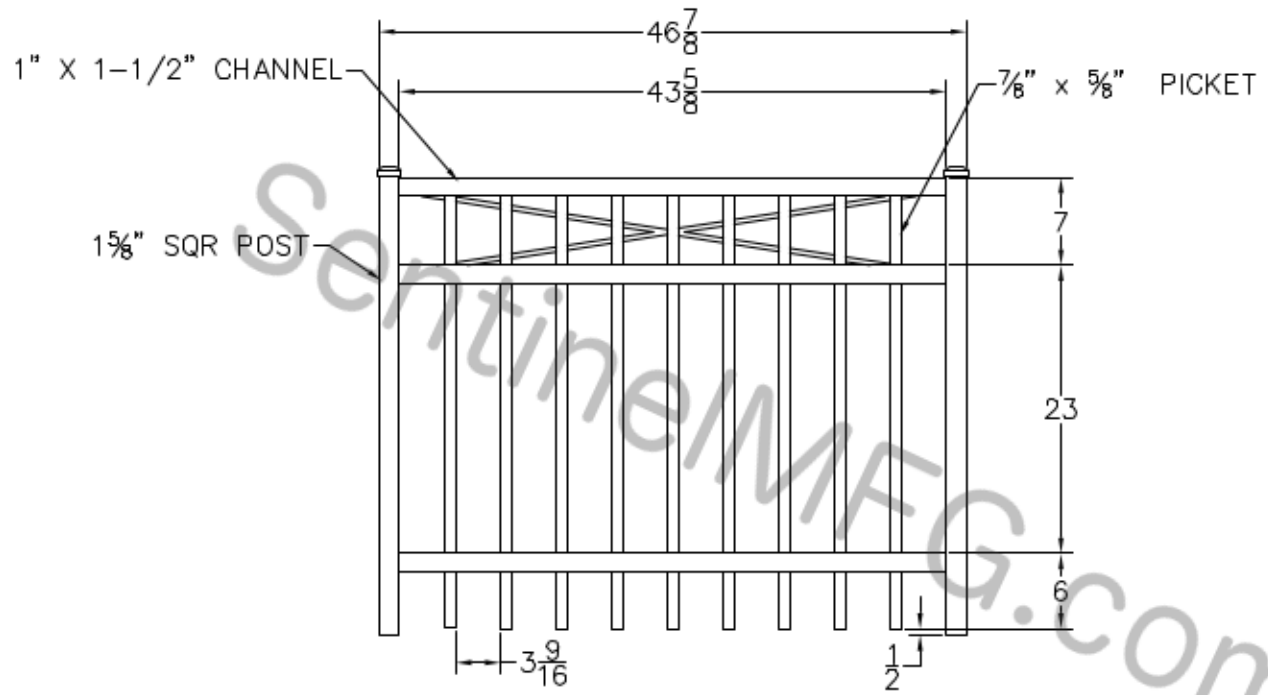


SIZE	REV	DESCRIPTION	DATE	APP'D
-	NC	INITIAL RELEASE		
-	01	CREATED FROM SI-R-18HX48W	04/23/12	



OUTSIDE VIEW

- NOTES:
1. ALL DIMENSIONS IN INCHES.
 2. INSTALL POSTS PER STANDARD CONSTRUCTION PRACTICES

SENTINEL MFG.
 1527 NC HWY 711
 LUMBERTON, NC 28360
 (910) 735-1351

DRAWING:
 REGAL GRADE
 SIERRA GATE -
 36" HT X 48" WD

SIZE	D	DWG NO.	SI-C-36HX48W	REV	NC
SCALE		DATE	06-06-05	SHEET	1 OF 1

© 2004. This drawing may not be altered or reproduced without the permission of SENTINEL MFG.