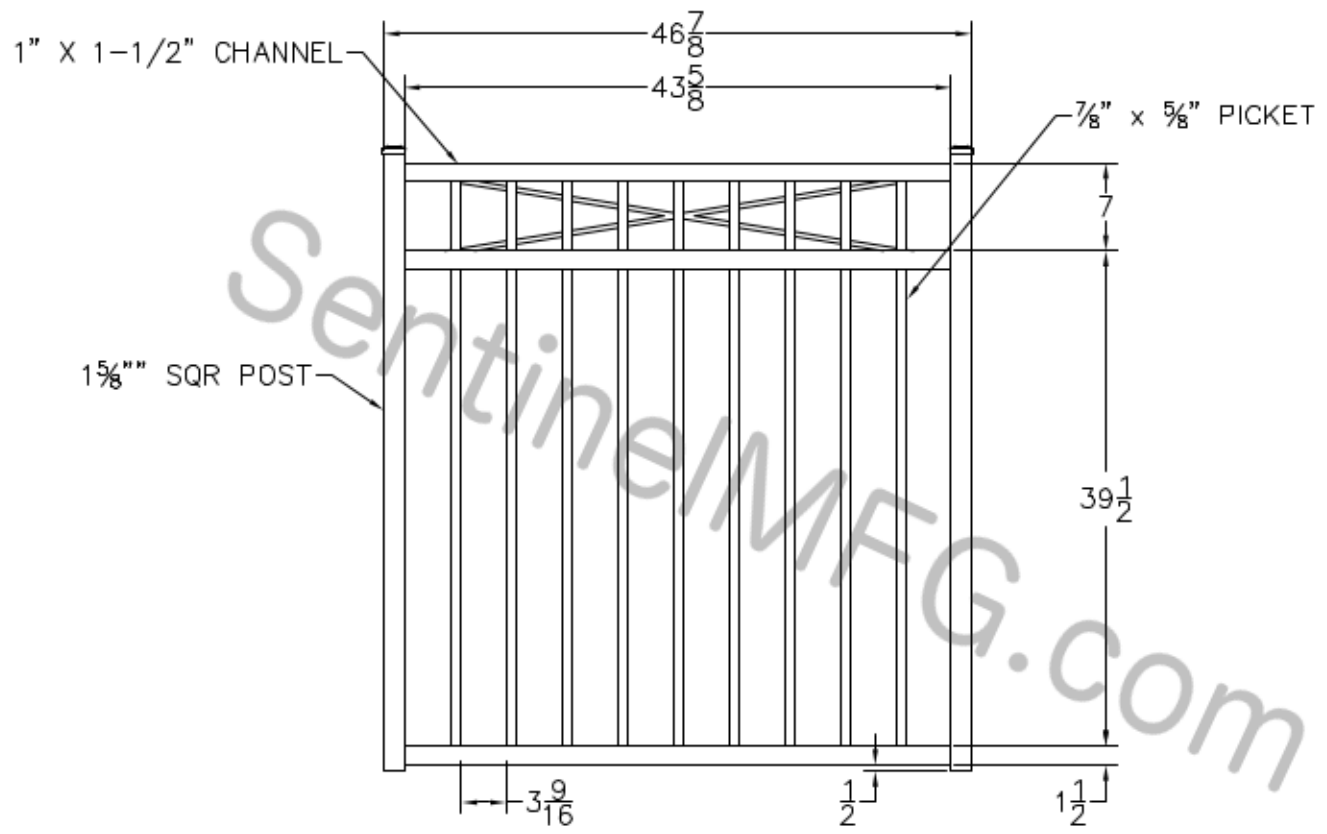


DATE	BY	DESCRIPTION	CHK	APPV
-	NC	INITIAL RELEASE		
-	DT	CREATED FROM SI-R-64HX48W-DR	05/02/12	



OUTSIDE VIEW

- NOTES:
1. ALL DIMENSIONS IN INCHES.
  2. INSTALL POSTS PER STANDARD CONSTRUCTION PRACTICES

SENTINEL MFG.  
 1527 NC HWY 711  
 LUMBERTON, NC 28360  
 (910) 735-1351

DRAWING:  
 REGAL GRADE  
 SIERRA GATE - DROP RAIL  
 48" HT X 48 W

SIZE D	DWG NO. SI-R-48HX48W-DR	REV NC
SCALE	DATE 06-06-05	SHEET 1 OF 1

© 2004. This drawing may not be altered or reproduced without the permission of SENTINEL MFG.