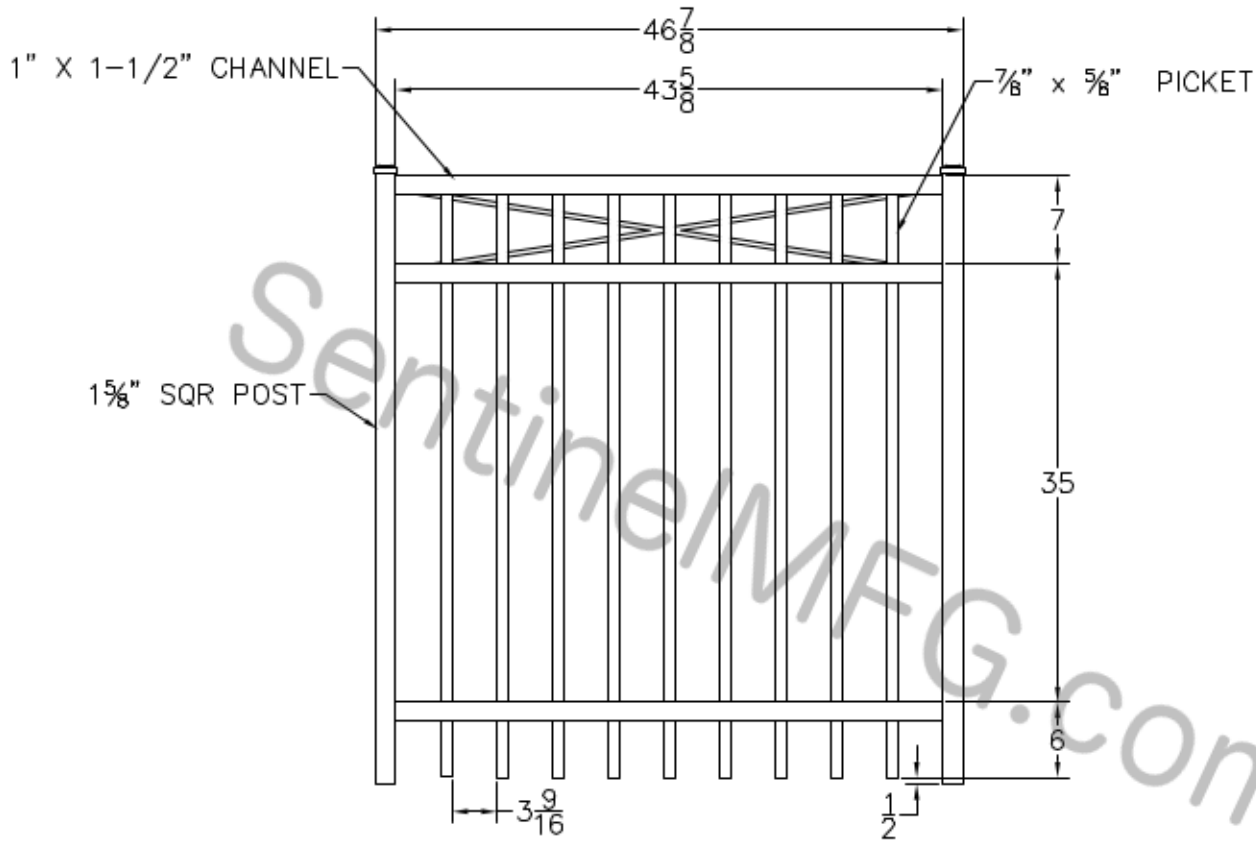


REV	DESCRIPTION	DATE	APP'D
- NC	INITIAL RELEASE		
- 01	REVISE CO. NAME, DRAWING NAME & NUMBER	04/05/12	



OUTSIDE VIEW

- NOTES:
1. ALL DIMENSIONS IN INCHES.
 2. INSTALL POSTS PER STANDARD CONSTRUCTION PRACTICES

SENTINEL MFG.
 1527 NC HWY 711
 LUMBERTON, NC 28360
 (910) 735-1351

DRAWING:
 REGAL GRADE
 SIERRA GATE -
 48" HT X 48" WD

SIZE D	DWG NO. SI-R-48HX48W	REV NC
SCALE	DATE 06-06-05	SHEET 1 OF 1

© 2004. This drawing may not be altered or reproduced without the permission of SENTINEL MFG.