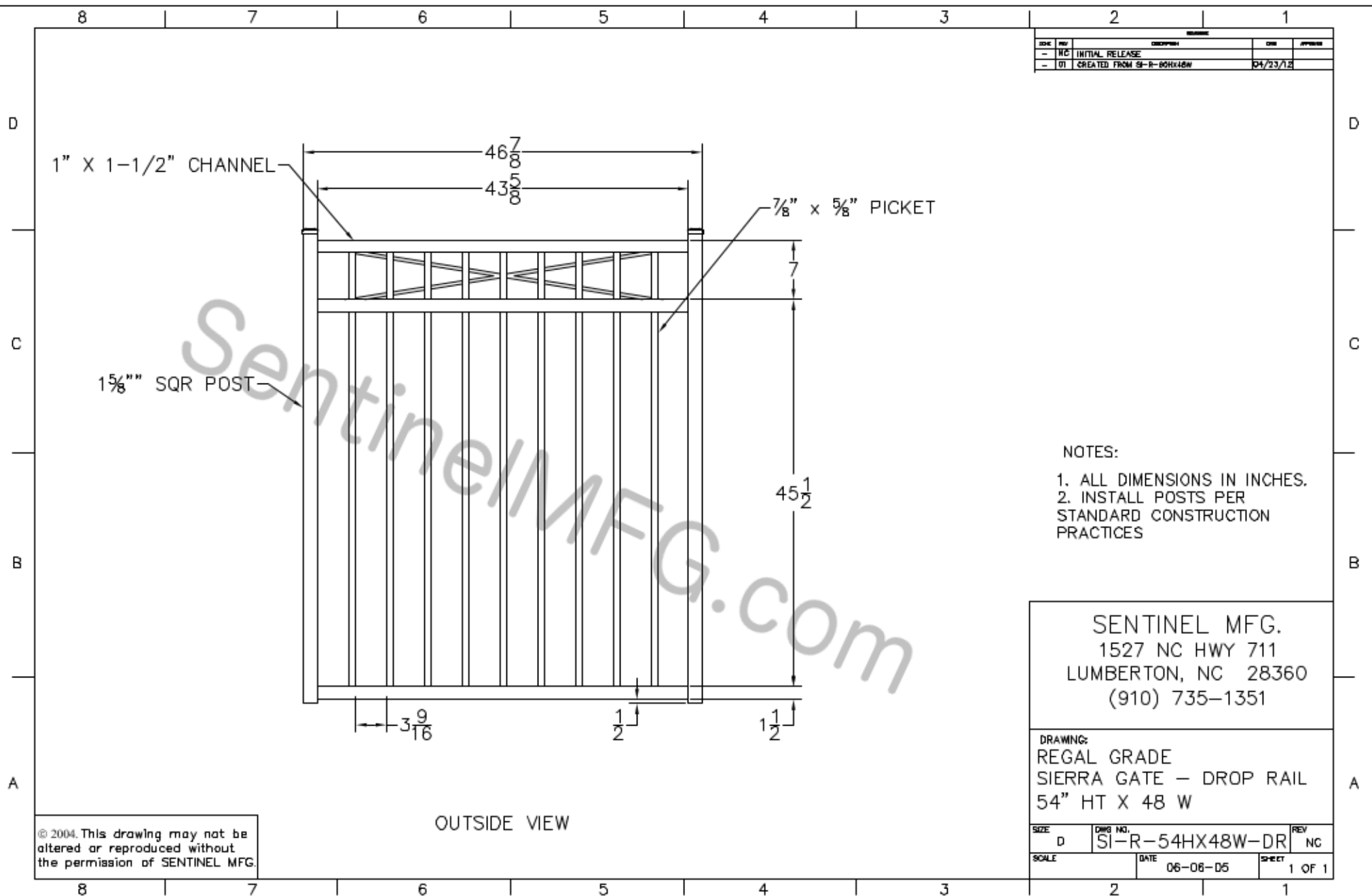


DATE	BY	DESCRIPTION	CHK	APPR
-	NC	INITIAL RELEASE		
-	DT	CREATED FROM SI-R-54HX48W		04/23/12



1" X 1-1/2" CHANNEL

7/8" x 5/8" PICKET

15/8" SQR POST

- NOTES:
1. ALL DIMENSIONS IN INCHES.
 2. INSTALL POSTS PER STANDARD CONSTRUCTION PRACTICES

SENTINEL MFG.
 1527 NC HWY 711
 LUMBERTON, NC 28360
 (910) 735-1351

DRAWING:
 REGAL GRADE
 SIERRA GATE - DROP RAIL
 54" HT X 48 W

SIZE	DWG NO.	REV
D	SI-R-54HX48W-DR	NC
SCALE	DATE	SHEET
	06-06-05	1 OF 1

© 2004. This drawing may not be altered or reproduced without the permission of SENTINEL MFG.

OUTSIDE VIEW