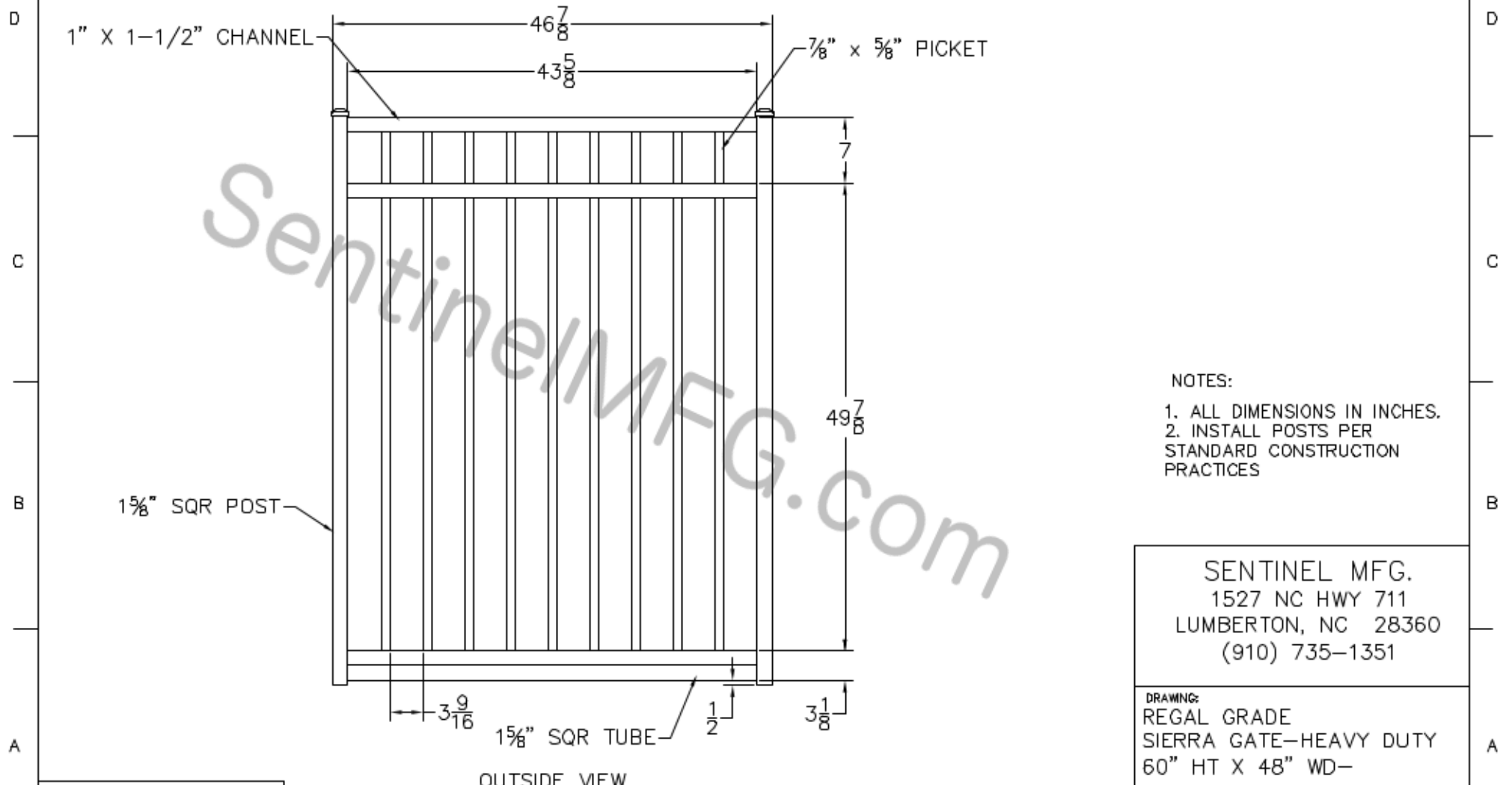


DATE	REV	DESCRIPTION	BY	APP'D
-	NC	INITIAL RELEASE		
-	DT	CREATE FROM B-R-48HX48W	04/05/12	



- NOTES:
1. ALL DIMENSIONS IN INCHES.
  2. INSTALL POSTS PER STANDARD CONSTRUCTION PRACTICES

SENTINEL MFG.  
 1527 NC HWY 711  
 LUMBERTON, NC 28360  
 (910) 735-1351

DRAWING:  
 REGAL GRADE  
 SIERRA GATE-HEAVY DUTY  
 60" HT X 48" WD-

© 2004. This drawing may not be altered or reproduced without the permission of SENTINEL MFG.

SIZE	DWG NO.	REV
D	SI-R-60HX48W-HD	NC
SCALE	DATE	SHEET
	06-06-05	1 OF 1