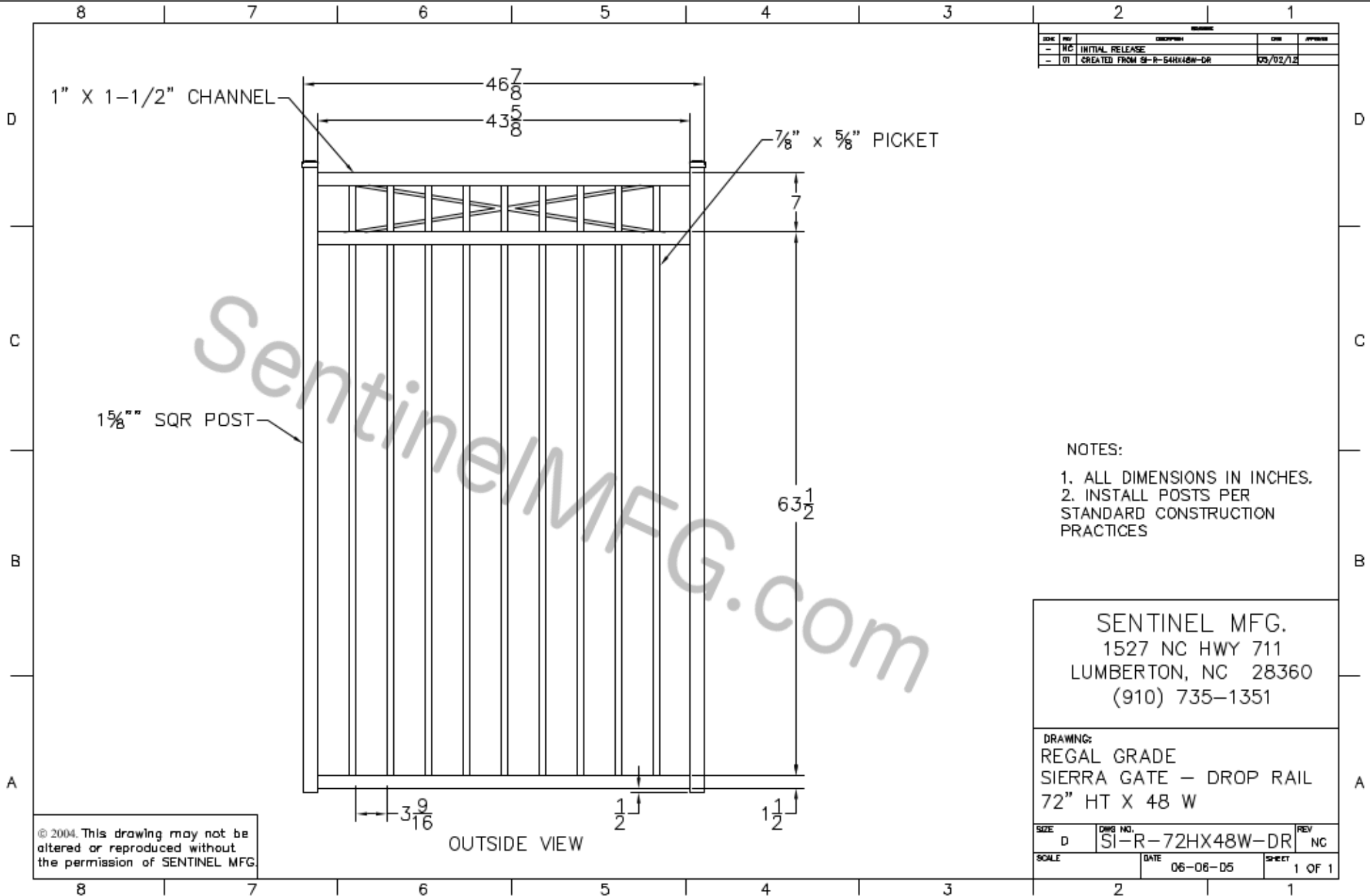


DATE	BY	DESCRIPTION	CHK	APPV
-	NC	INITIAL RELEASE		
-	01	CREATED FROM SI-R-54HX48W-DR	05/02/12	



- NOTES:
1. ALL DIMENSIONS IN INCHES.
 2. INSTALL POSTS PER STANDARD CONSTRUCTION PRACTICES

SENTINEL MFG.
 1527 NC HWY 711
 LUMBERTON, NC 28360
 (910) 735-1351

DRAWING:
 REGAL GRADE
 SIERRA GATE - DROP RAIL
 72" HT X 48 W

© 2004. This drawing may not be altered or reproduced without the permission of SENTINEL MFG

SIZE	D	DWG NO.	SI-R-72HX48W-DR	REV	NC
SCALE		DATE	06-06-05	SHEET	1 OF 1