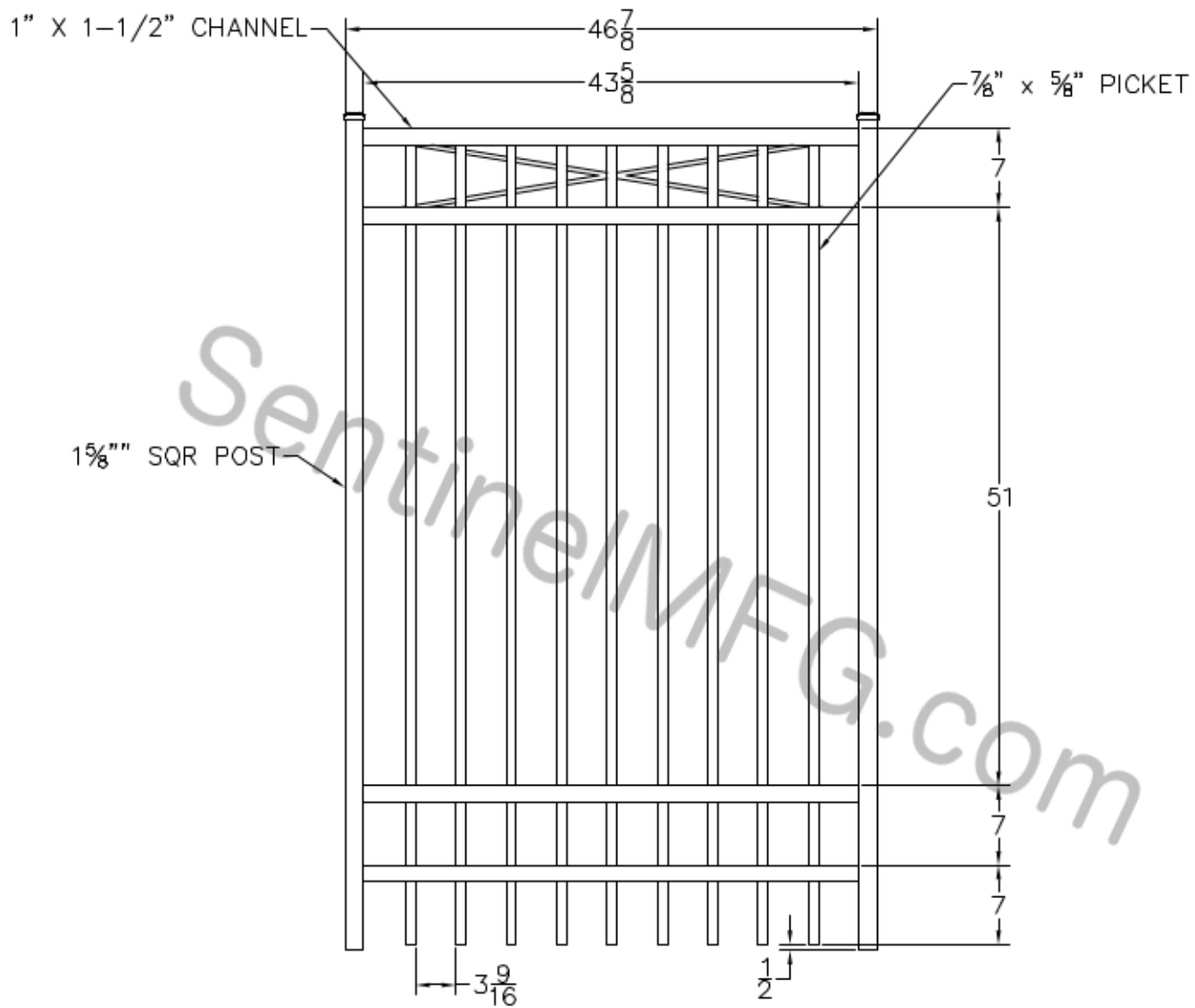


REV	NO	DESCRIPTION	DATE	BY
-	01	INITIAL RELEASE		
-	01	REVISE CO. NAME, DRAWING NAME & NUMBER	04/23/12	



- NOTES:
1. ALL DIMENSIONS IN INCHES.
 2. INSTALL POSTS PER STANDARD CONSTRUCTION PRACTICES

SENTINEL MFG.
 1527 NC HWY 711
 LUMBERTON, NC 28360
 (910) 735-1351

DRAWING:
 REGAL GRADE
 SIERRA GATE -
 72" HT X 48 W

© 2004. This drawing may not be altered or reproduced without the permission of SENTINEL INC.

SIZE	DWG. NO.	REV
D	SI-R-48HX48W	NC
SCALE	DATE	SHEET
	08-06-05	1 OF 1