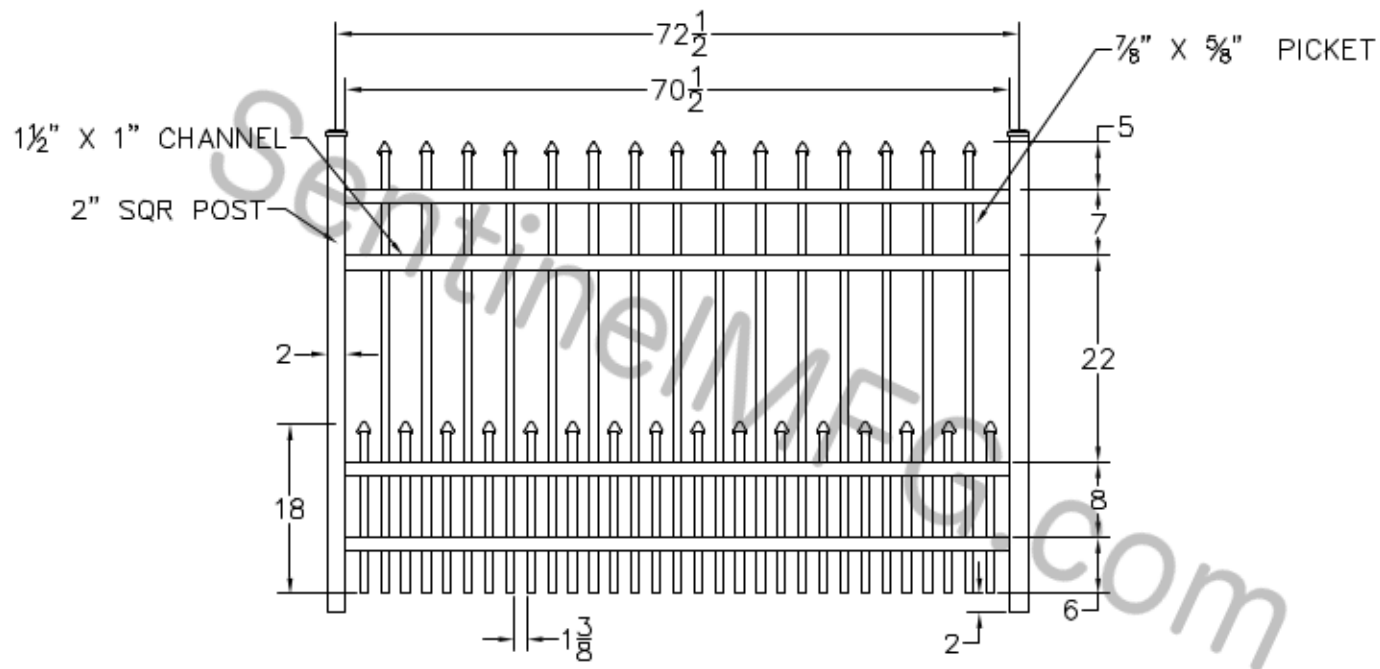


DATE	REV	DESCRIPTION	CHK	APPR
-	NC	INITIAL RELEASE		
-	01	CREATE FROM XP-R-72-AP		05/17/12



- NOTES:
1. ALL DIMENSIONS IN INCHES.
  2. INSTALL POSTS PER STANDARD CONSTRUCTION PRACTICES

SENTINEL MFG.  
 1527 NC HWY 711  
 LUMBERTON, NC 28360  
 (910) 735-1351

DRAWING:  
 REGAL GRADE-  
 PUPPY PICKET - 48" HT  
 APPALACHIAN

SIZE	DWG NO.	REV
D	PP-R-48-AP	NC
SCALE	DATE	SHEET
	03-29-06	1 OF 1

© 2004. This drawing may not be altered or reproduced without the permission of SENTINEL MFG.