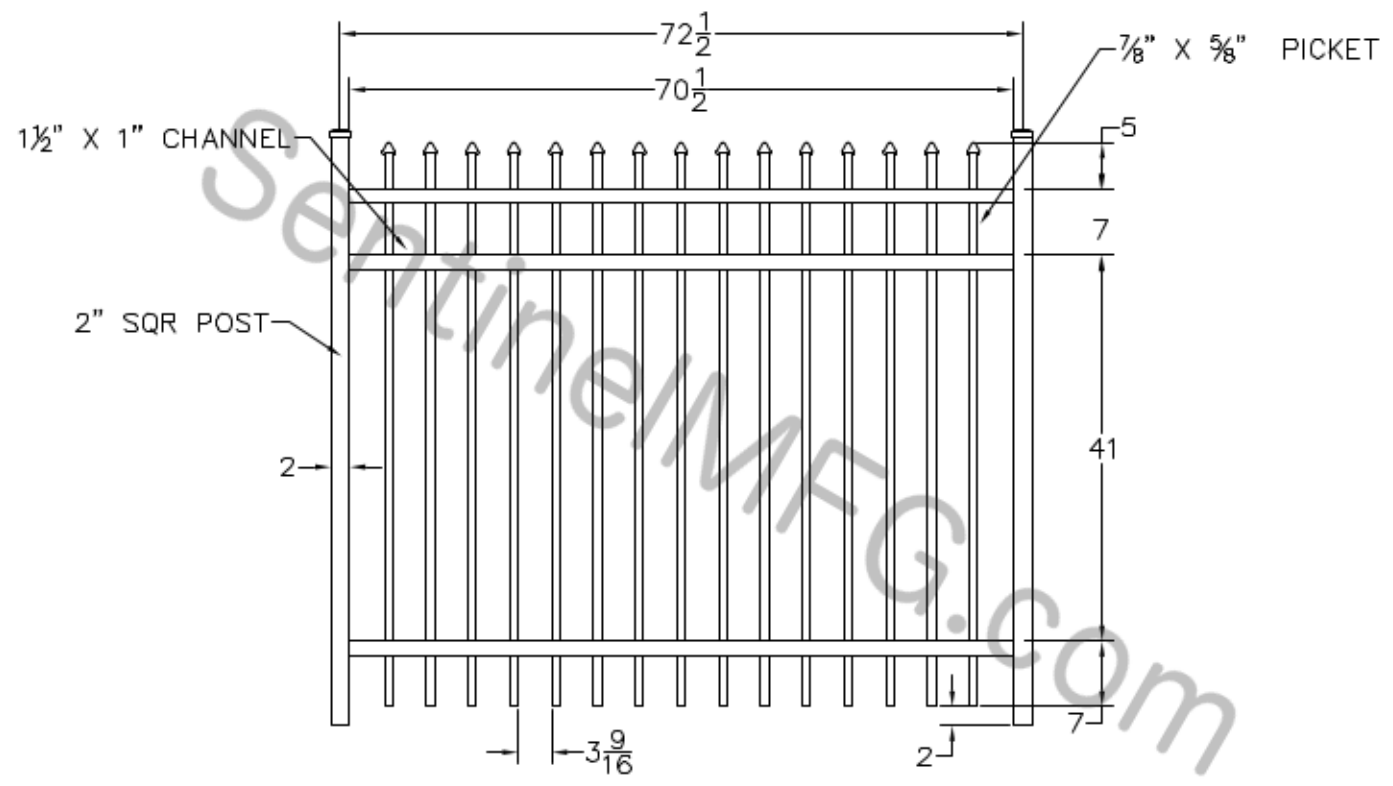


REV	NO.	DESCRIPTION	DATE	APP'D
-	NC	INITIAL RELEASE		
-	01	REVISE CO. NAME	04/23/12	



- NOTES:
1. ALL DIMENSIONS IN INCHES.
 2. INSTALL POSTS PER STANDARD CONSTRUCTION PRACTICES

SENTINEL MFG.
 1527 NC HWY 711
 LUMBERTON, NC 28360
 (910) 735-1351

DRAWING:
 REGAL GRADE
 APPALACHIAN - 60" HT

© 2004. This drawing may not be altered or reproduced without the permission of SENTINEL MFG.

SIZE	D	DWG NO.	AP-R-60	REV	NC
SCALE		DATE	03-29-06	SHEET	1 OF 1