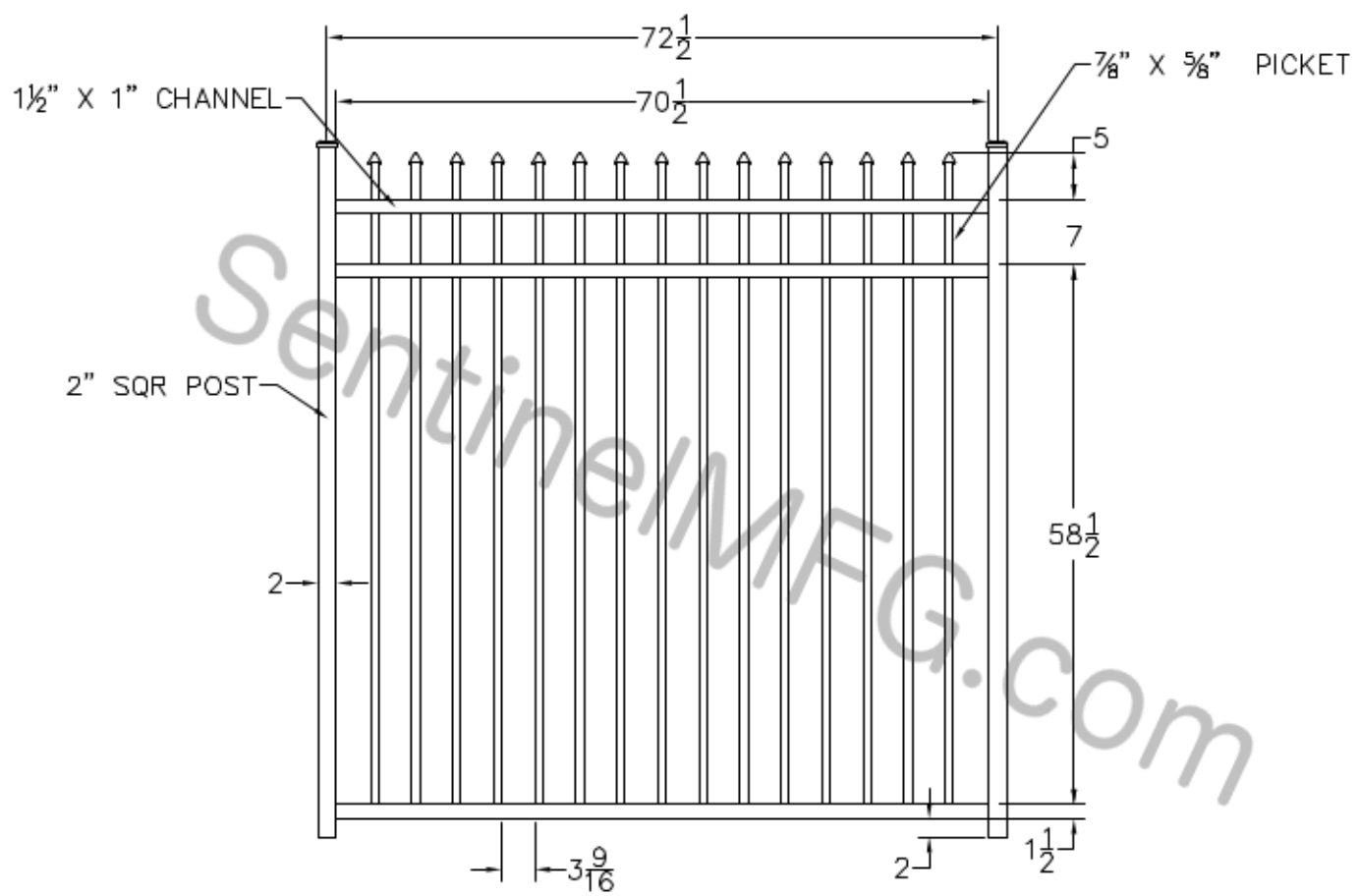


REV	NO	DESCRIPTION	DATE	APP'D
-	NC	INITIAL RELEASE		
-	01	REVISE CO. NAME	04/25/12	

D
C
B
A

D
C
B
A



- NOTES:
1. ALL DIMENSIONS IN INCHES.
 2. INSTALL POSTS PER STANDARD CONSTRUCTION PRACTICES

SENTINEL MFG.
1527 NC HWY 711
LUMBERTON, NC 28360
(910) 735-1351

DRAWING:
REGAL GRADE
APPALACHIAN - 72" HT
DROP RAIL

SIZE	DWG NO.	REV
D	AP-R-72-DR	NC
SCALE	DATE	SHEET
	03-28-06	1 OF 1

© 2004. This drawing may not be altered or reproduced without the permission of SENTINEL MFG.

8 7 6 5 4 3 2 1

8 7 6 5 4 3 2 1