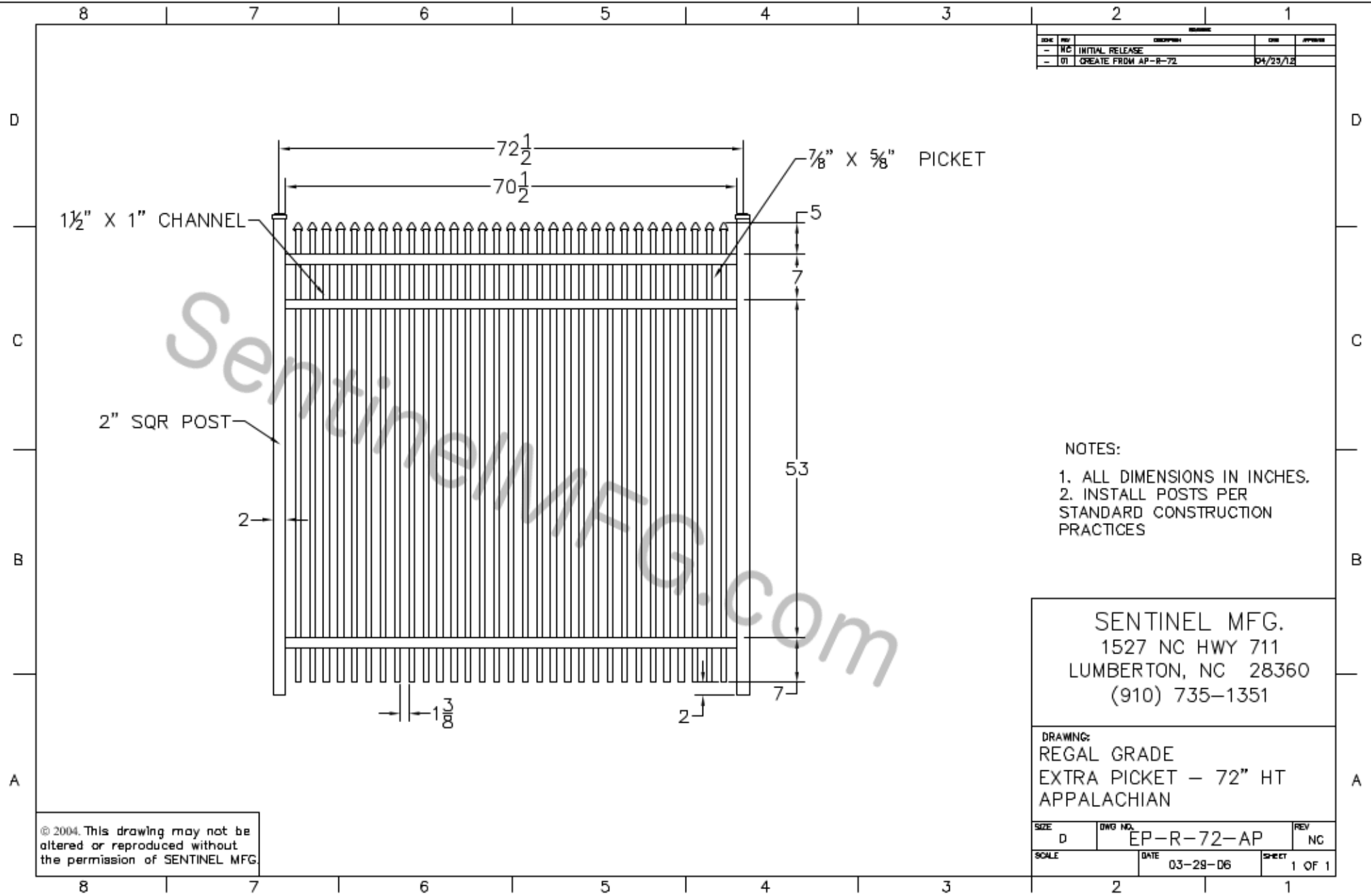


REV	DESCRIPTION	DATE	APP'D
NC	INITIAL RELEASE		
01	CREATE FROM AP-R-72	04/25/12	



1 1/2" X 1" CHANNEL

72 1/2

70 1/2

7/8" X 5/8" PICKET

5

7

2" SQR POST

53

2

1

2

7

- NOTES:
1. ALL DIMENSIONS IN INCHES.
 2. INSTALL POSTS PER STANDARD CONSTRUCTION PRACTICES

SENTINEL MFG.
 1527 NC HWY 711
 LUMBERTON, NC 28360
 (910) 735-1351

DRAWING:
 REGAL GRADE
 EXTRA PICKET - 72" HT
 APPALACHIAN

© 2004. This drawing may not be altered or reproduced without the permission of SENTINEL MFG.

SIZE	DWG NO.	REV
D	EP-R-72-AP	NC
SCALE	DATE	SHEET
	03-28-06	1 OF 1