

REV	DESCRIPTION	DATE	APP'D
01	INITIAL RELEASE		
01	CREATE FROM PP-R-48-AP	05/17/12	

D

D

C

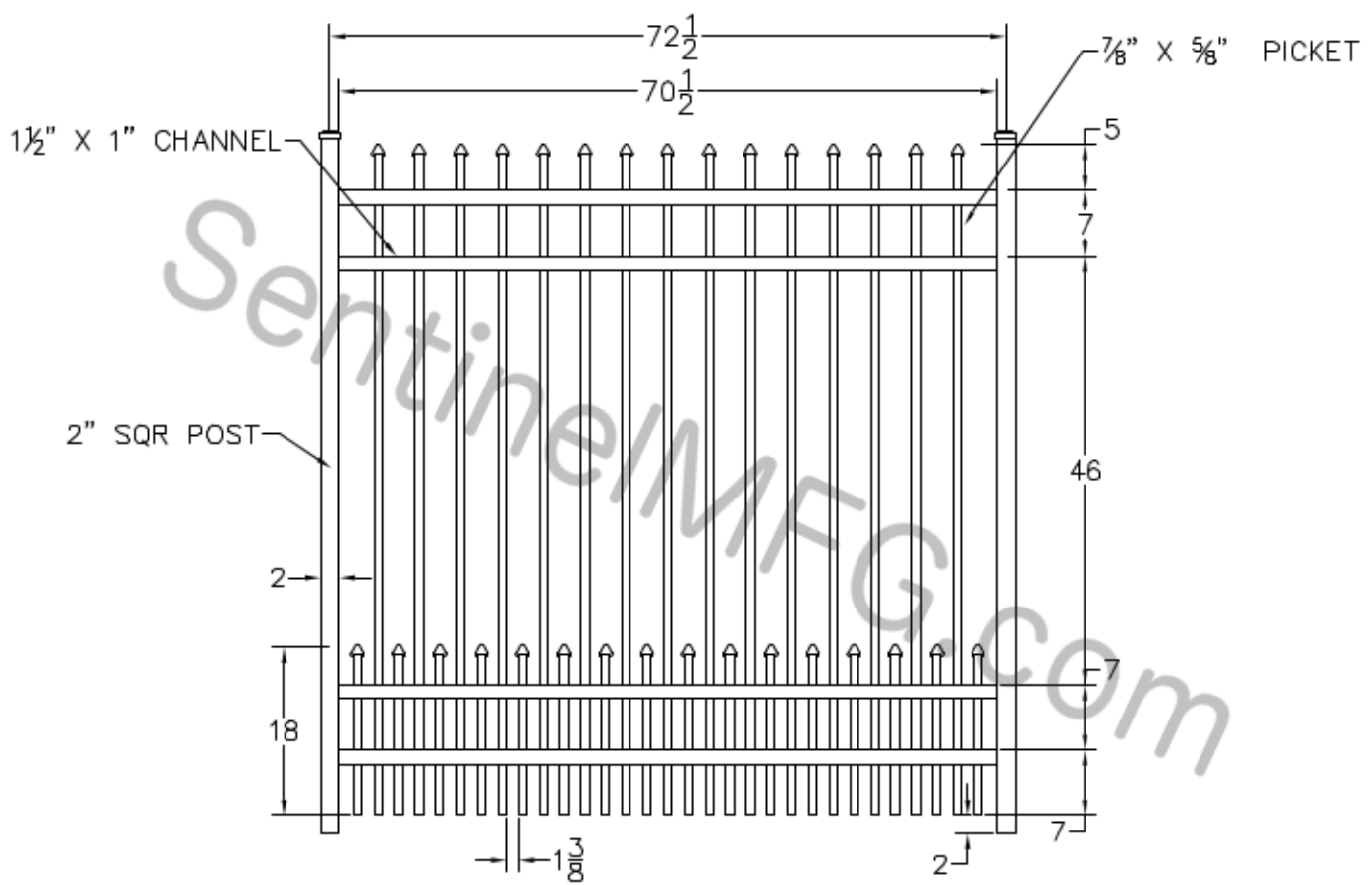
C

B

B

A

A



## NOTES:

1. ALL DIMENSIONS IN INCHES.
2. INSTALL POSTS PER STANDARD CONSTRUCTION PRACTICES

SENTINEL MFG.  
 1527 NC HWY 711  
 LUMBERTON, NC 28360  
 (910) 735-1351

DRAWING:  
 REGAL GRADE-  
 PUPPY PICKET - 72" HT  
 APPALACHIAN

© 2004. This drawing may not be altered or reproduced without the permission of SENTINEL MFG

SIZE	DWG NO.	REV
D	PP-R-72-AP	NC
SCALE	DATE	SHEET
	03-29-06	1 OF 1