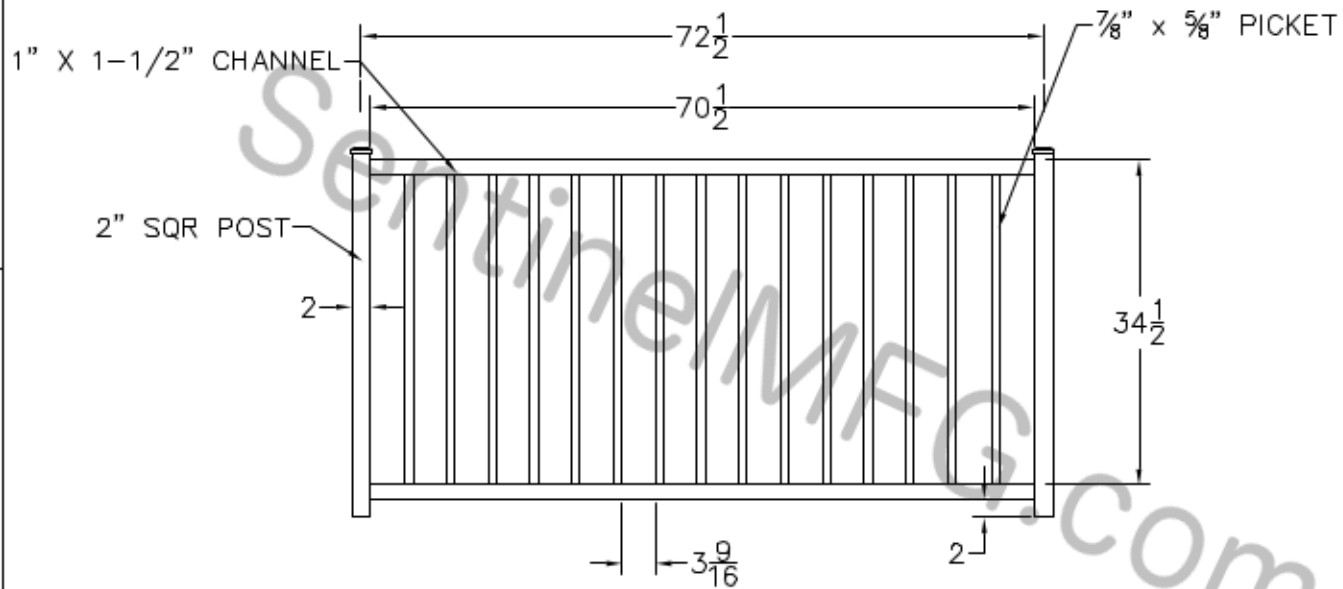


DATE	BY	DESCRIPTION	CHK	APPR
-	NC	INITIAL RELEASE		
-	DT	REVISE CO. NAME		03/21/13



NOTES:

1. ALL DIMENSIONS IN INCHES.
2. INSTALL POSTS PER STANDARD CONSTRUCTION PRACTICES

SENTINEL FENCE, LLC  
 1527 NC HWY 711  
 LUMBERTON, NC 28360  
 (910) 735-1351

DRAWING:  
 REGAL GRADE  
 CAROLINA - 36" HT

© 2005. This drawing may not be altered or reproduced without the permission of SENTINEL MFG.

SIZE	DWG NO.	REV
D	CA-R-36	NC
SCALE	DATE	SHEET
	06-06-05	1 OF 1