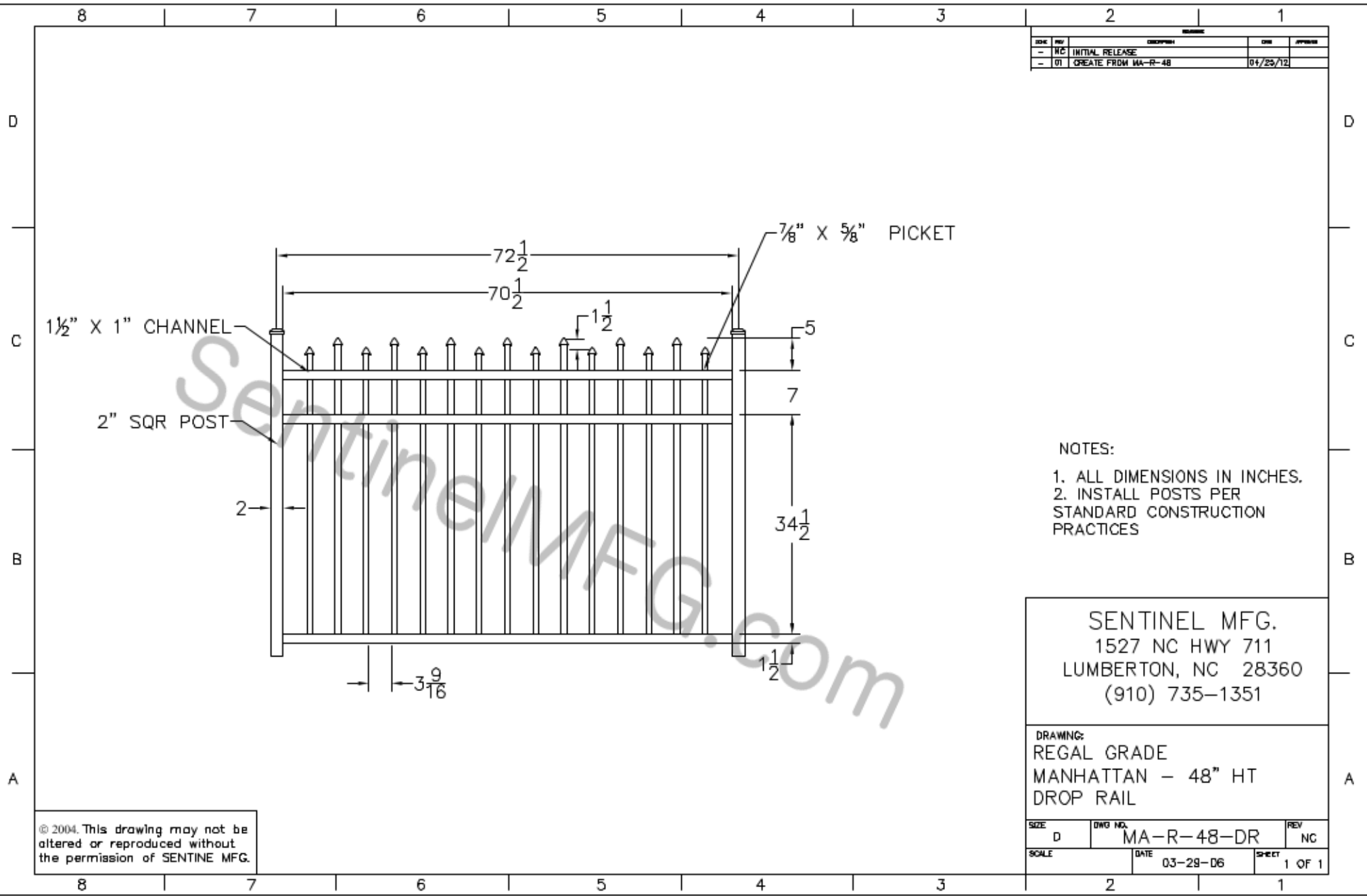


REV	DESCRIPTION	DATE	APP'D
- NC	INITIAL RELEASE		
- 01	CREATE FROM MA-R-48	04/29/12	



- NOTES:
1. ALL DIMENSIONS IN INCHES.
 2. INSTALL POSTS PER STANDARD CONSTRUCTION PRACTICES

SENTINEL MFG.
 1527 NC HWY 711
 LUMBERTON, NC 28360
 (910) 735-1351

DRAWING:
 REGAL GRADE
 MANHATTAN - 48" HT
 DROP RAIL

© 2004. This drawing may not be altered or reproduced without the permission of SENTINE MFG.

SIZE	D	DWG NO.	MA-R-48-DR	REV	NC
SCALE		DATE	03-29-06	SHEET	1 OF 1