

DATE	REV	DESCRIPTION	BY	APPR
-	NC	INITIAL RELEASE		
-	01	REVISE CO. NAME, DRAWING NAME & NUMBER	04/25/12	

D

D

C

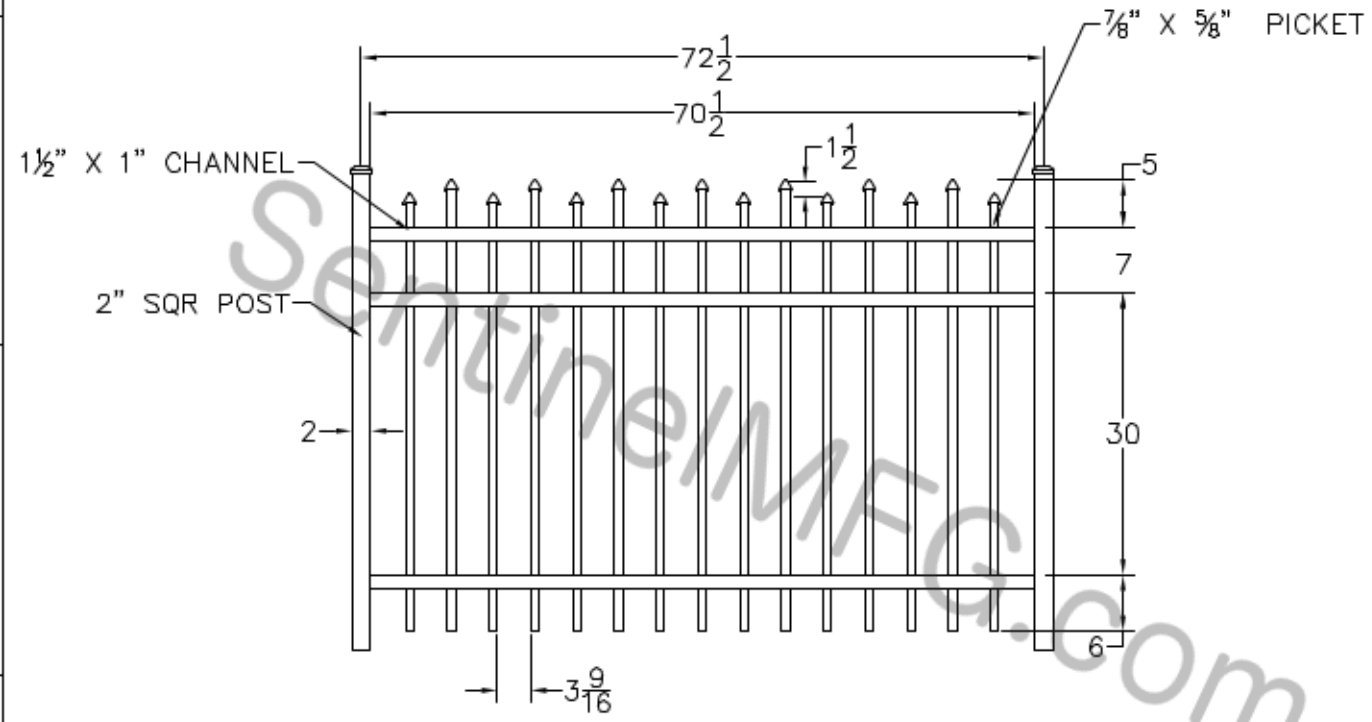
C

B

B

A

A



NOTES:

1. ALL DIMENSIONS IN INCHES.
2. INSTALL POSTS PER STANDARD CONSTRUCTION PRACTICES

SENTINEL MFG.
 1527 NC HWY 711
 LUMBERTON, NC 28360
 (910) 735-1351

DRAWING:
 REGAL GRADE
 MANHATTAN - 48" HT

© 2004. This drawing may not be altered or reproduced without the permission of SENTINEL MFG.

SIZE	DWG NO.	REV
D	MA-R-48	NC
SCALE	DATE	SHEET
	03-29-06	1 OF 1

8 7 6 5 4 3 2 1

8 7 6 5 4 3 2 1