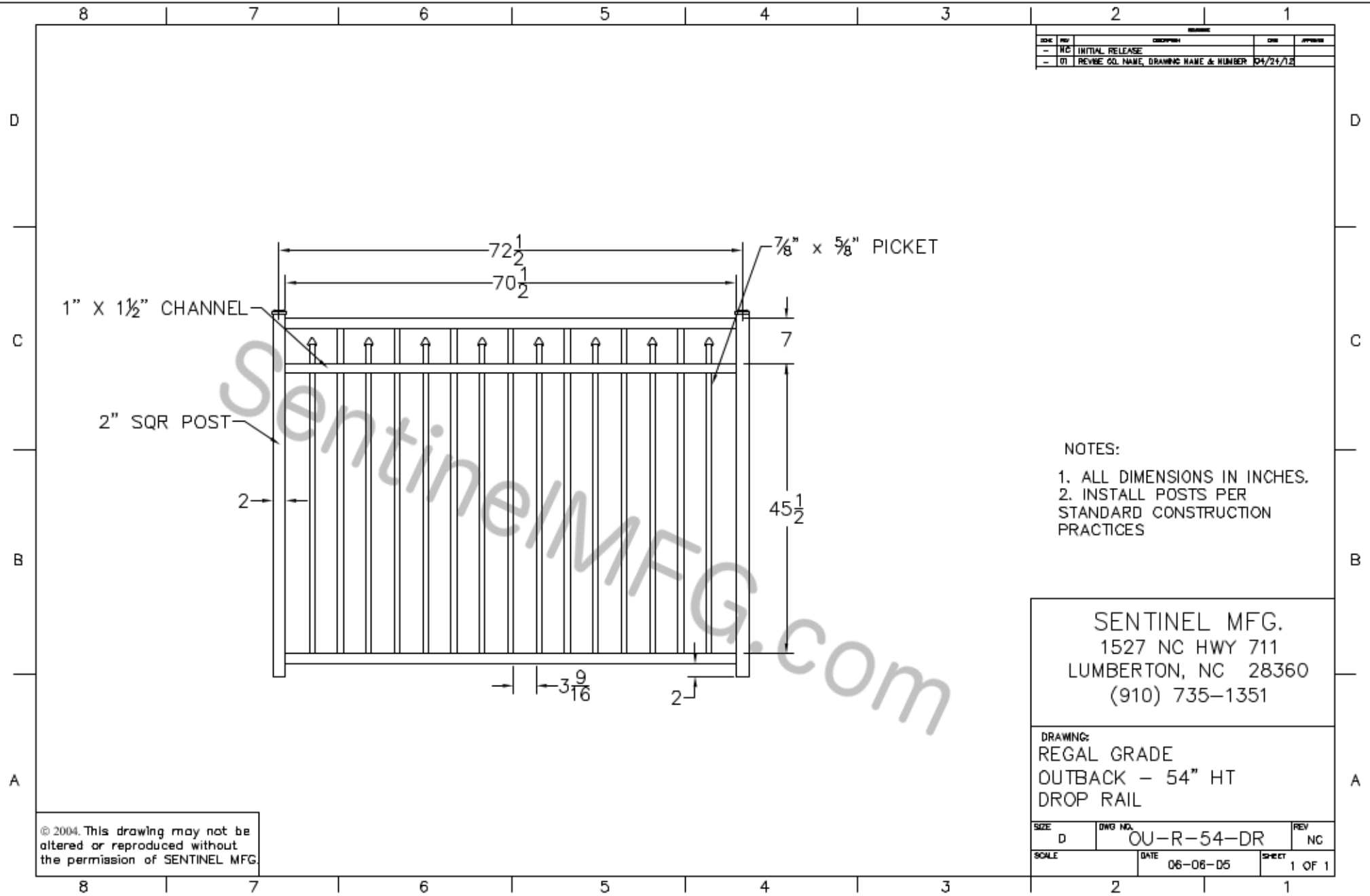


| NO. | REV. | DESCRIPTION | DATE | APPROVED |
|-----|------|--|----------|----------|
| - | NC | INITIAL RELEASE | | |
| - | 01 | REVISE CO. NAME, DRAWING NAME & NUMBER | 04/24/12 | |



1" X 1 1/2" CHANNEL

2" SQR POST

7/8" x 5/8" PICKET

- NOTES:
1. ALL DIMENSIONS IN INCHES.
 2. INSTALL POSTS PER STANDARD CONSTRUCTION PRACTICES

SENTINEL MFG.
 1527 NC HWY 711
 LUMBERTON, NC 28360
 (910) 735-1351

DRAWING:
 REGAL GRADE
 OUTBACK - 54" HT
 DROP RAIL

© 2004. This drawing may not be altered or reproduced without the permission of SENTINEL MFG.

| | | |
|-------|------------|--------|
| SIZE | DWG NO. | REV |
| D | OU-R-54-DR | NC |
| SCALE | DATE | SHEET |
| | 06-06-05 | 1 OF 1 |