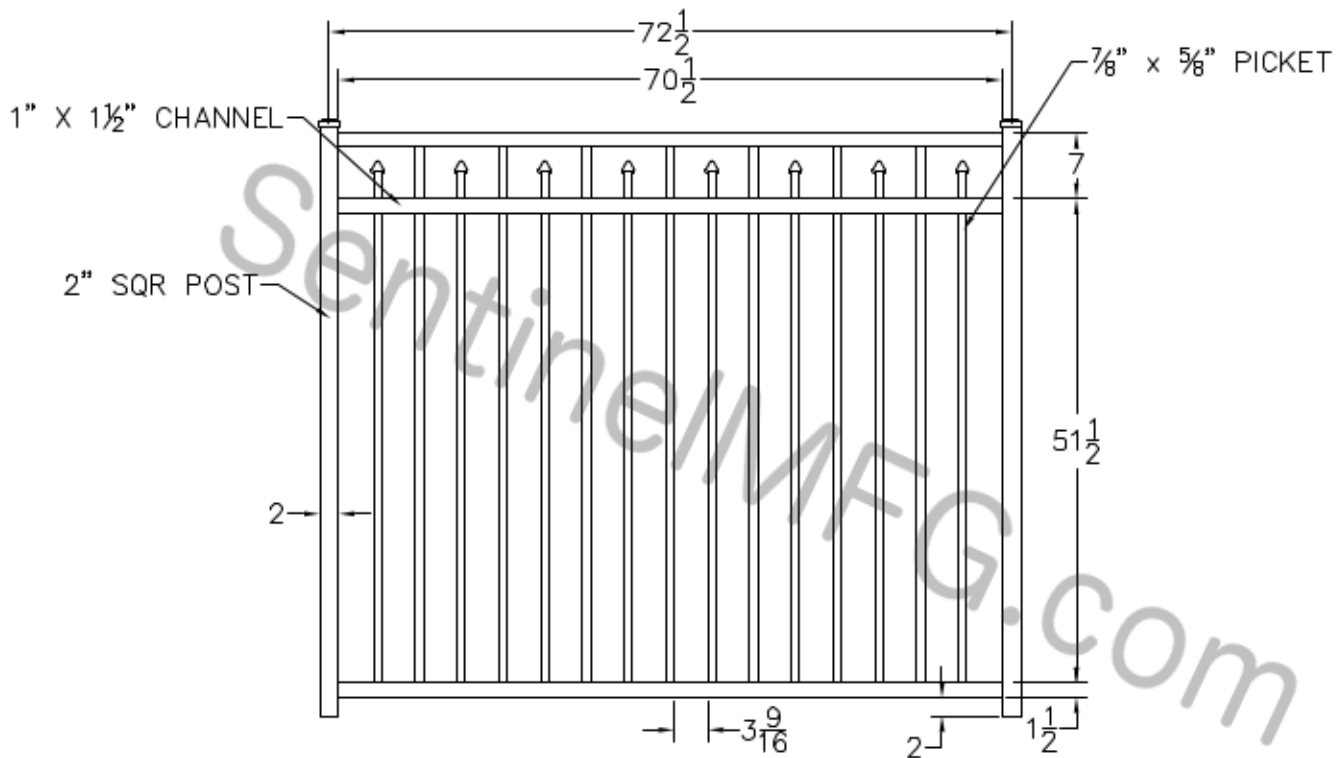


DATE	REV	DESCRIPTION	BY	APP'D
-	NC	INITIAL RELEASE		
-	01	CREATE FROM OU-R-64-DR		04/23/12



NOTES:

1. ALL DIMENSIONS IN INCHES.
2. INSTALL POSTS PER STANDARD CONSTRUCTION PRACTICES

SENTINEL MFG.
 1527 NC HWY 711
 LUMBERTON, NC 28360
 (910) 735-1351

DRAWING:
 REGAL GRADE
 OUTBACK - 60" HT
 DROP RAIL

© 2004. This drawing may not be altered or reproduced without the permission of SENTINEL MFG.

SIZE D	DWG NO. OU-R-60-DR	REV NC
SCALE	DATE 06-06-05	SHEET 1 OF 1