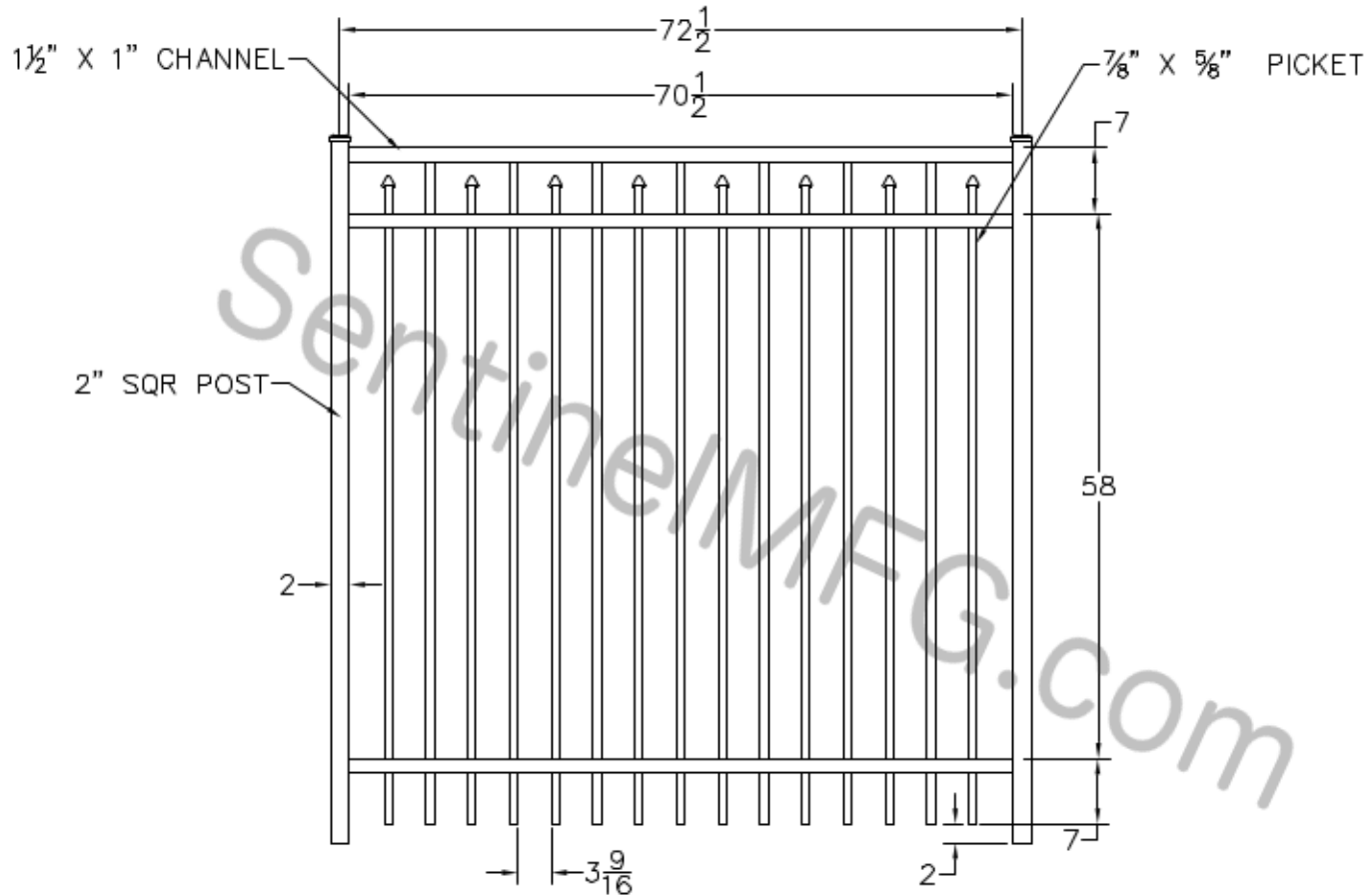


NO.	REV.	DESCRIPTION	DATE	APPROVED
-	NC	INITIAL RELEASE		
-	01	REVISE CO. NAME, DRAWING NAME & NUMBER	04/24/12	



NOTES:

1. ALL DIMENSIONS IN INCHES.
2. INSTALL POSTS PER STANDARD CONSTRUCTION PRACTICES

SENTINEL MFG.
 1527 NC HWY 711
 LUMBERTON, NC 28360
 (910) 735-1351

DRAWING:
 REGAL GRADE
 OUTBACK - 72" HT

© 2004. This drawing may not be altered or reproduced without the permission of SENTINEL MFG.

SIZE	DWG NO.	REV
D	OU-R-72	NC
SCALE	DATE	SHEET
	03-29-06	1 OF 1