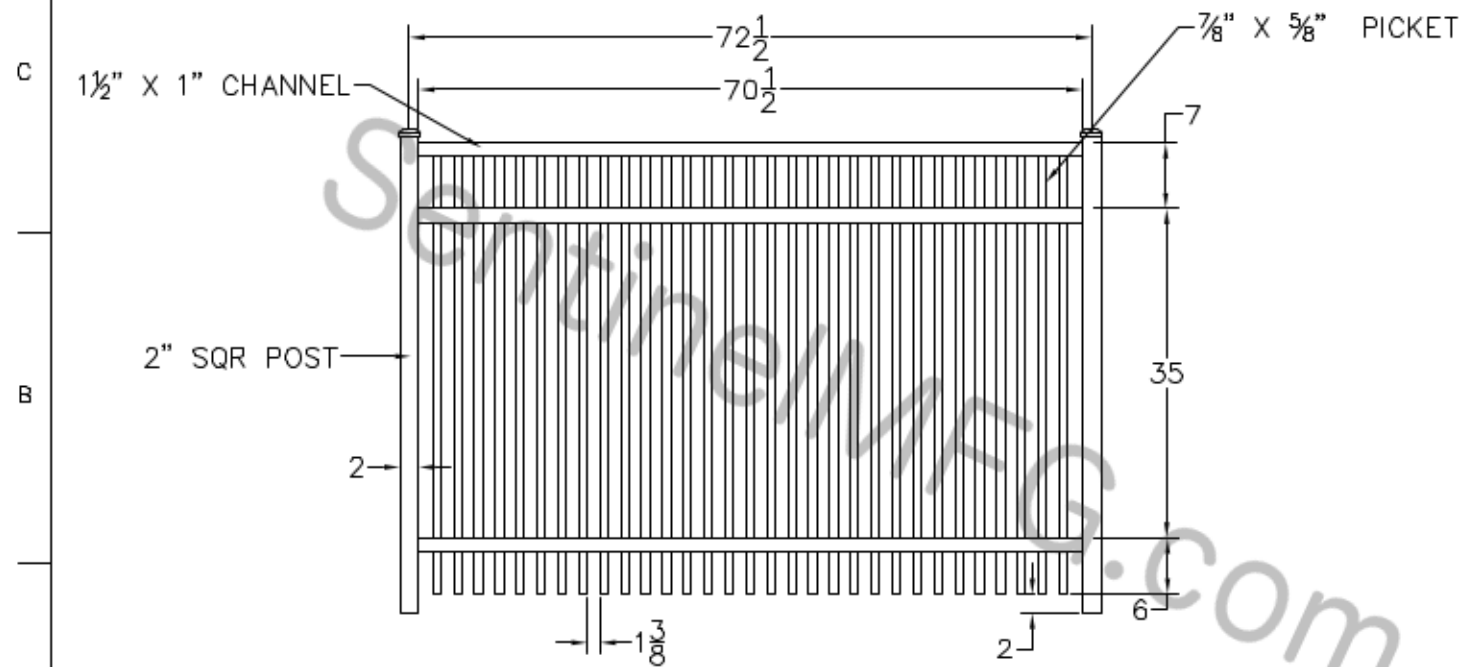


DATE	REV	DESCRIPTION	BY	APP'D
-	NC	INITIAL RELEASE		
-	01	CREATE FROM B-R-BO-XP		05/01/12



- NOTES:
1. ALL DIMENSIONS IN INCHES.
 2. INSTALL POSTS PER STANDARD CONSTRUCTION PRACTICES

SENTINEL MFG.
 1527 NC HWY 711
 LUMBERTON, NC 28360
 (910) 735-1351

DRAWING:
 REGAL GRADE
 EXTRA PICKET - 48" HT
 SIERRA

SIZE	D	DWG NO.	XP-R-48-SI	REV	NC
SCALE		DATE	03-29-06	SHEET	1 OF 1

© 2004. This drawing may not be altered or reproduced without the permission of SENTINEL MFG.