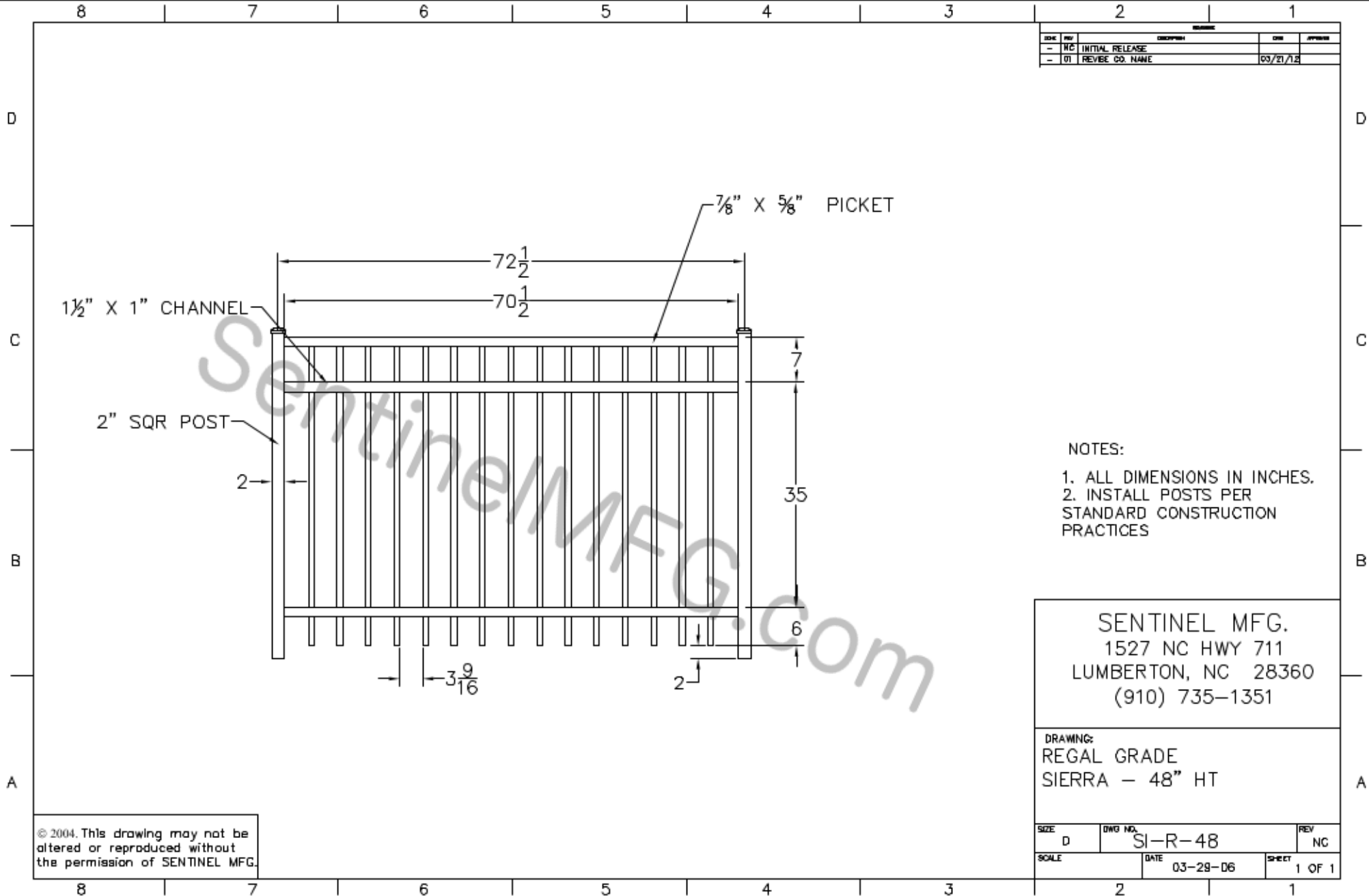


NO.	REV.	DESCRIPTION	DATE	APPROVED
-	NC	INITIAL RELEASE		
-	01	REVISE CO. NAME	03/21/12	



- NOTES:
1. ALL DIMENSIONS IN INCHES.
 2. INSTALL POSTS PER STANDARD CONSTRUCTION PRACTICES

SENTINEL MFG.
 1527 NC HWY 711
 LUMBERTON, NC 28360
 (910) 735-1351

DRAWING:
 REGAL GRADE
 SIERRA - 48" HT

SIZE	D	DWG NO.	SI-R-48	REV	NC
SCALE		DATE	03-28-06	SHEET	1 OF 1

© 2004. This drawing may not be altered or reproduced without the permission of SENTINEL MFG.