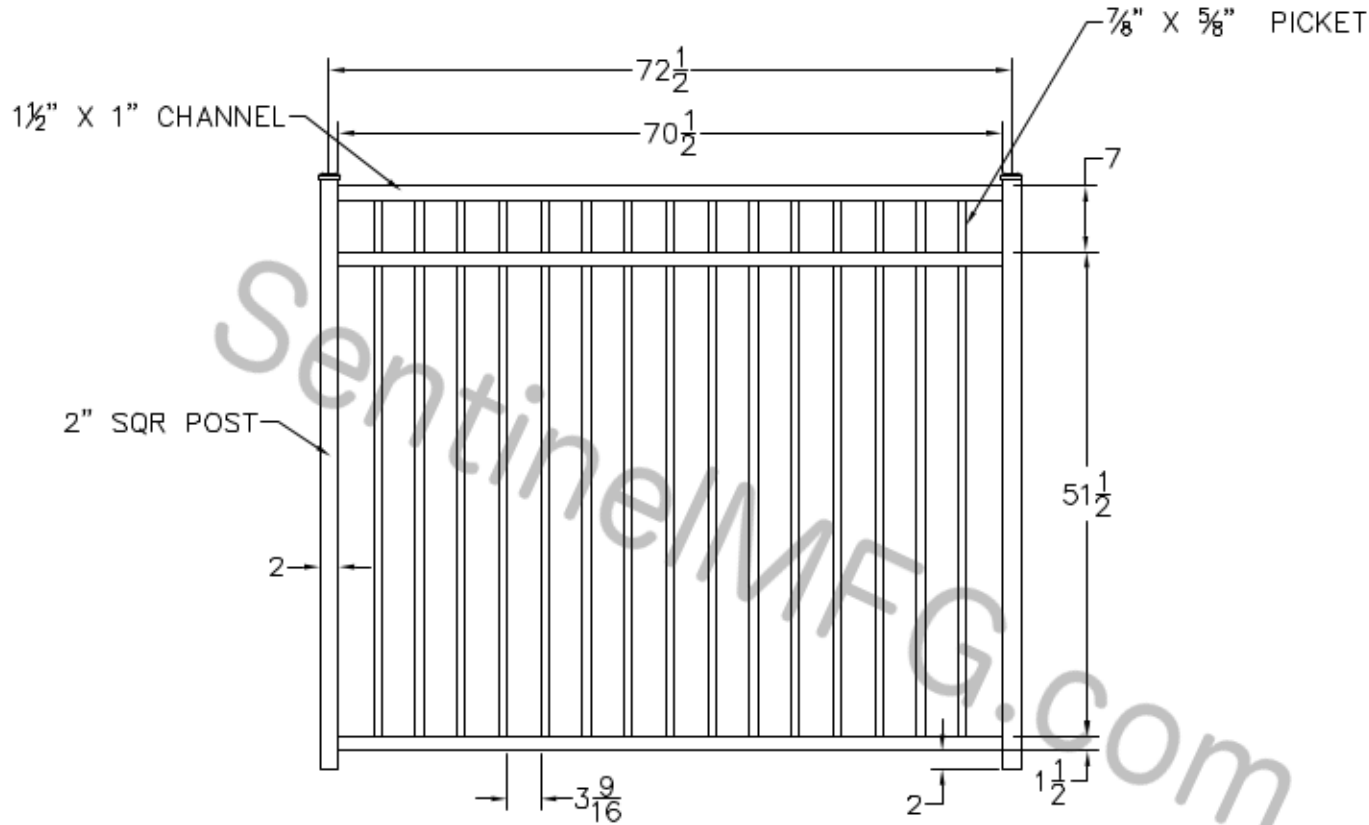


8 | 7 | 6 | 5 | 4 | 3 | 2 | 1

DATE	BY	DESCRIPTION	CHK	APPR
-	NC	INITIAL RELEASE		
-	01	CREATE FROM B-R-64-DR		04/25/12

D

D



C

C

B

B

A

A

- NOTES:
1. ALL DIMENSIONS IN INCHES.
  2. INSTALL POSTS PER STANDARD CONSTRUCTION PRACTICES

SENTINEL MFG.  
 1527 NC HWY 711  
 LUMBERTON, NC 28360  
 (910) 735-1351

DRAWING:  
 REGAL GRADE  
 SIERRA - 60" HT  
 DROP RAIL

© 2004. This drawing may not be altered or reproduced without the permission of SENTINEL MFG.

SIZE	D	DWG NO.	SI-R-60-DR	REV	NC
SCALE		DATE	03-29-06	SHEET	1 OF 1

8 | 7 | 6 | 5 | 4 | 3 | 2 | 1