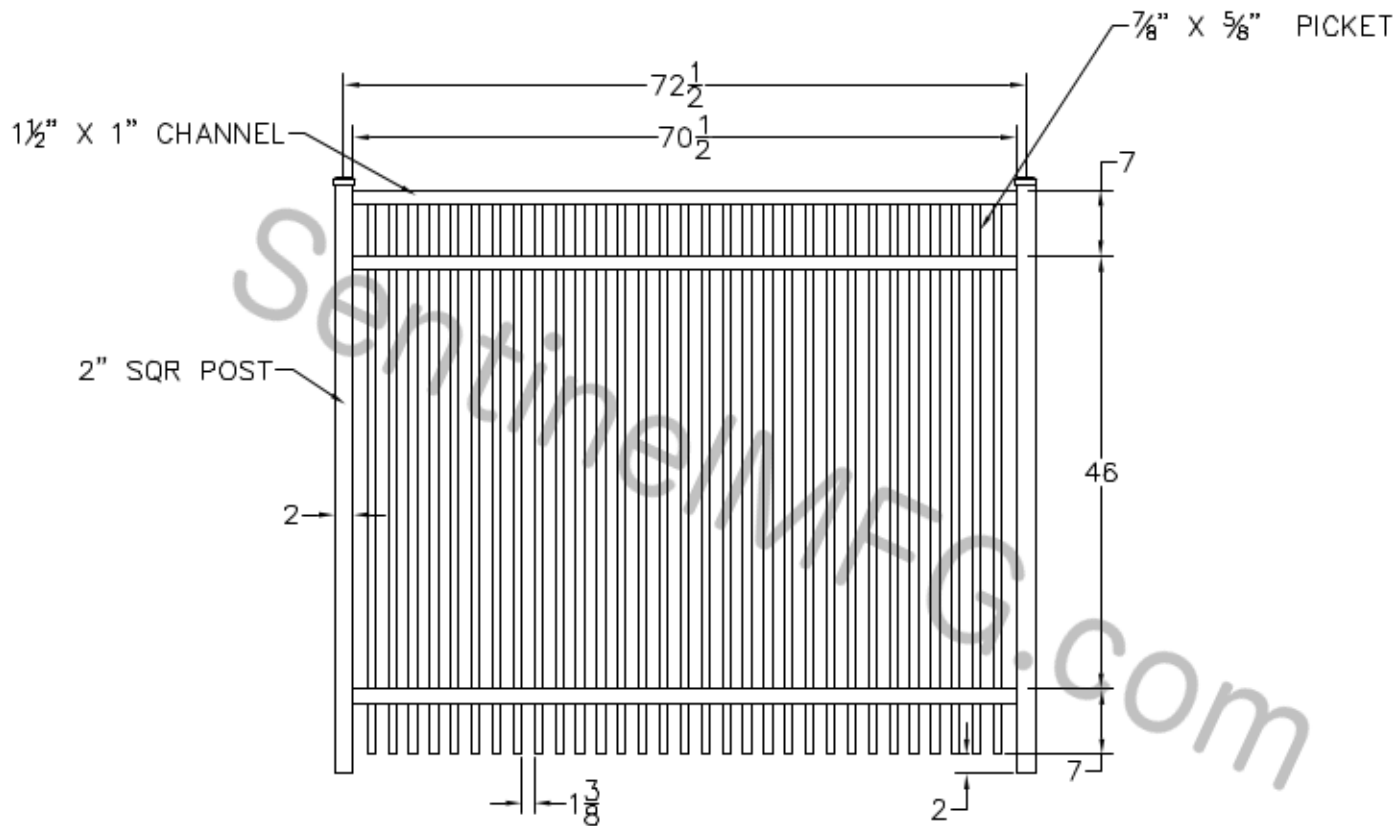


DATE	REV	DESCRIPTION	BY	APPV
-	NC	INITIAL RELEASE		
-	01	CREATE FROM B-R-80		04/25/12



NOTES:

1. ALL DIMENSIONS IN INCHES.
2. INSTALL POSTS PER STANDARD CONSTRUCTION PRACTICES

SENTINEL MFG.
 1527 NC HWY 711
 LUMBERTON, NC 28360
 (910) 735-1351

DRAWING:
 REGAL GRADE
 EXTRA PICKET - 60" HT
 SIERRA

SIZE	DWG NO.	REV
D	XP-R-60-SI	NC
SCALE	DATE	SHEET
	03-29-06	1 OF 1

© 2004. This drawing may not be altered or reproduced without the permission of SENTINEL MFG.