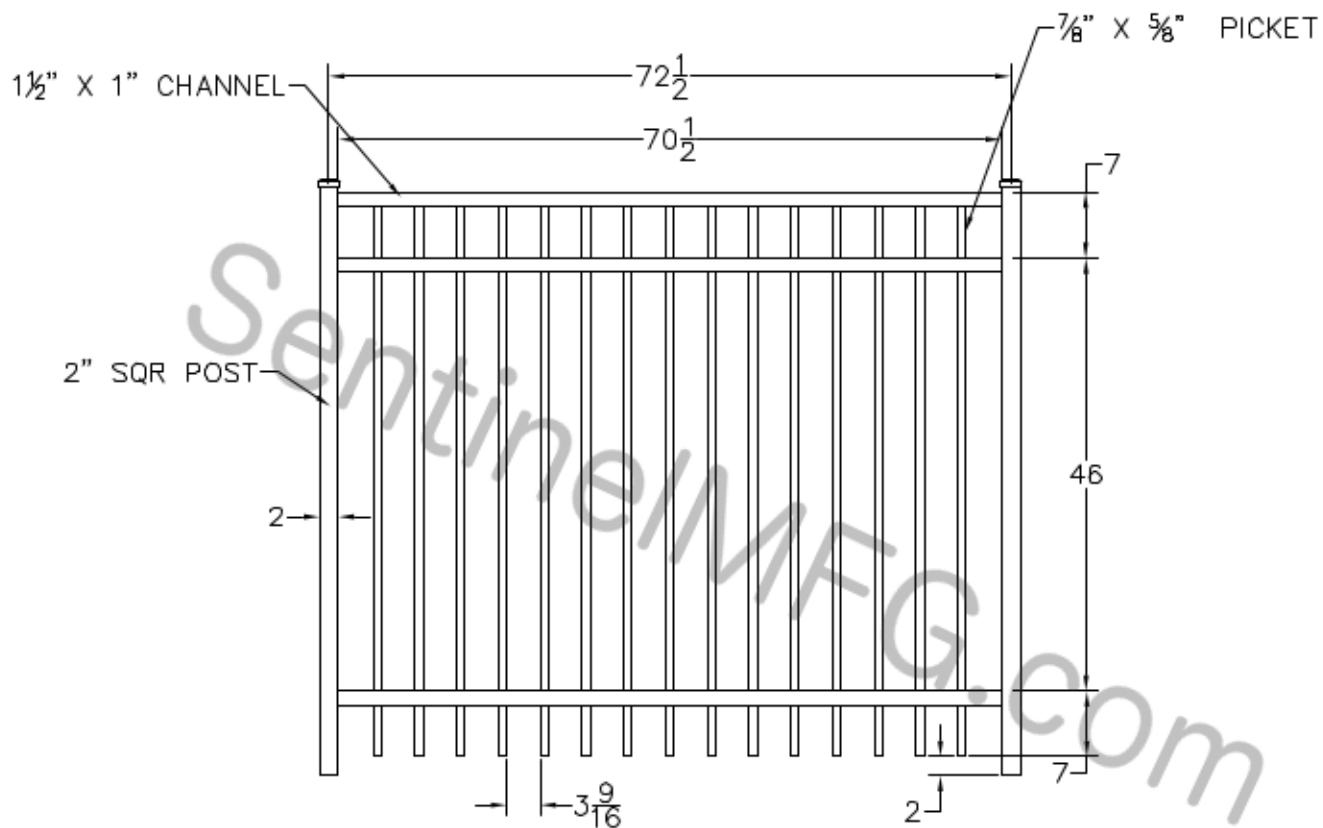


DATE	REV	DESCRIPTION	BY	APPV
-	NC	INITIAL RELEASE		
-	01	REVISE CO. NAME		03/21/12



NOTES:

1. ALL DIMENSIONS IN INCHES.
2. INSTALL POSTS PER STANDARD CONSTRUCTION PRACTICES

SENTINEL MFG.  
 1527 NC HWY 711  
 LUMBERTON, NC 28360  
 (910) 735-1351

DRAWING:  
 REGAL GRADE  
 SIERRA - 60" HT

© 2004. This drawing may not be altered or reproduced without the permission of SENTINEL MFG.

SIZE	DWG NO.	REV
D	SI-R-60	NC
SCALE	DATE	SHEET
	03-29-06	1 OF 1