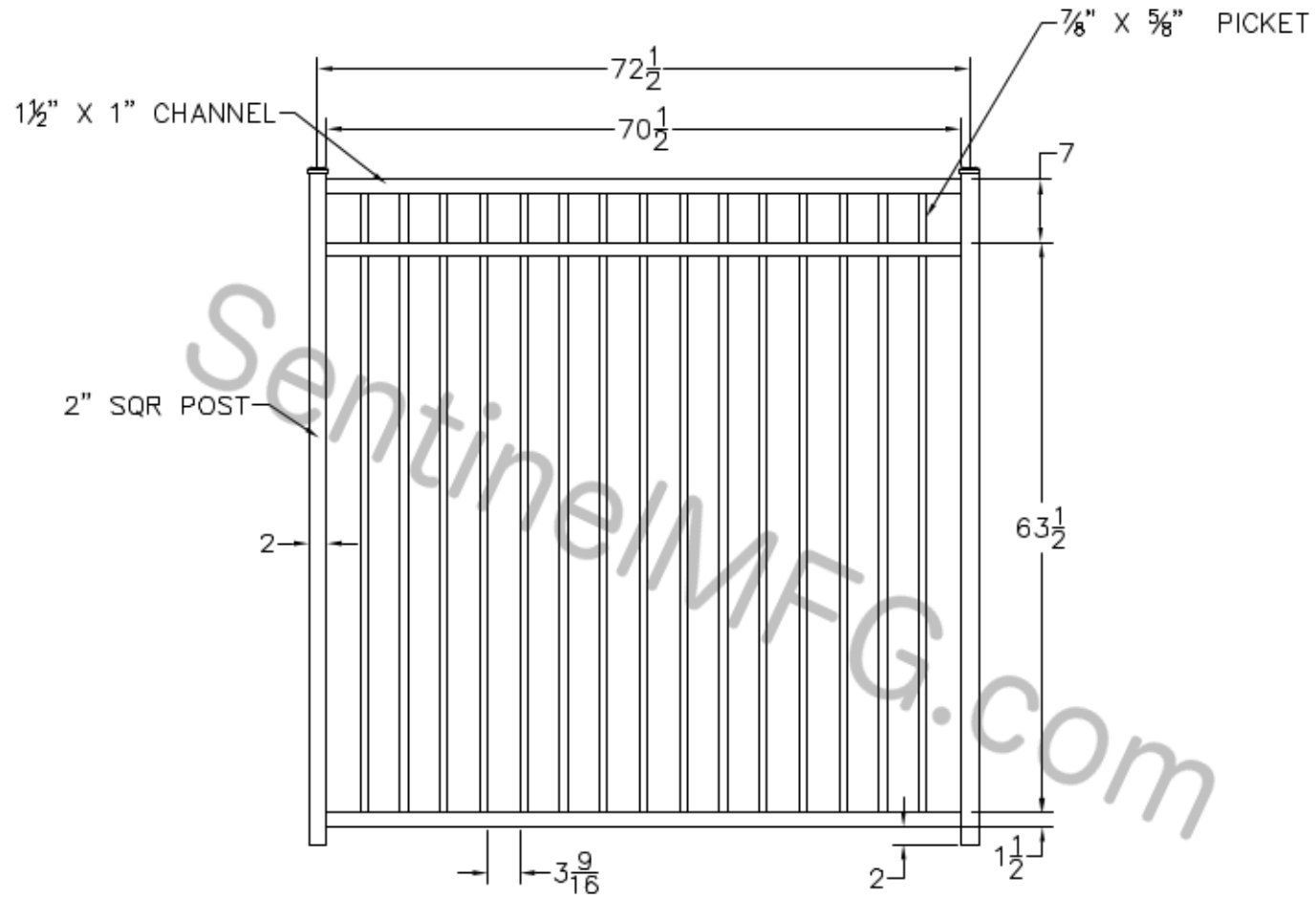


DATE	REV	DESCRIPTION	BY	APPV
-	NC	INITIAL RELEASE		
-	01	CREATE FROM B-R-64-DR		04/25/13



- NOTES:
1. ALL DIMENSIONS IN INCHES.
  2. INSTALL POSTS PER STANDARD CONSTRUCTION PRACTICES

SENTINEL MFG.  
 1527 NC HWY 711  
 LUMBERTON, NC 28360  
 (910) 735-1351

DRAWING:  
 REGAL GRADE  
 SIERRA - 72" HT  
 DROP RAIL

SIZE	D	DWG NO.	SI-R-72-DR	REV	NC
SCALE		DATE	03-29-06	SHEET	1 OF 1

© 2004. This drawing may not be altered or reproduced without the permission of SENTINEL MFG.