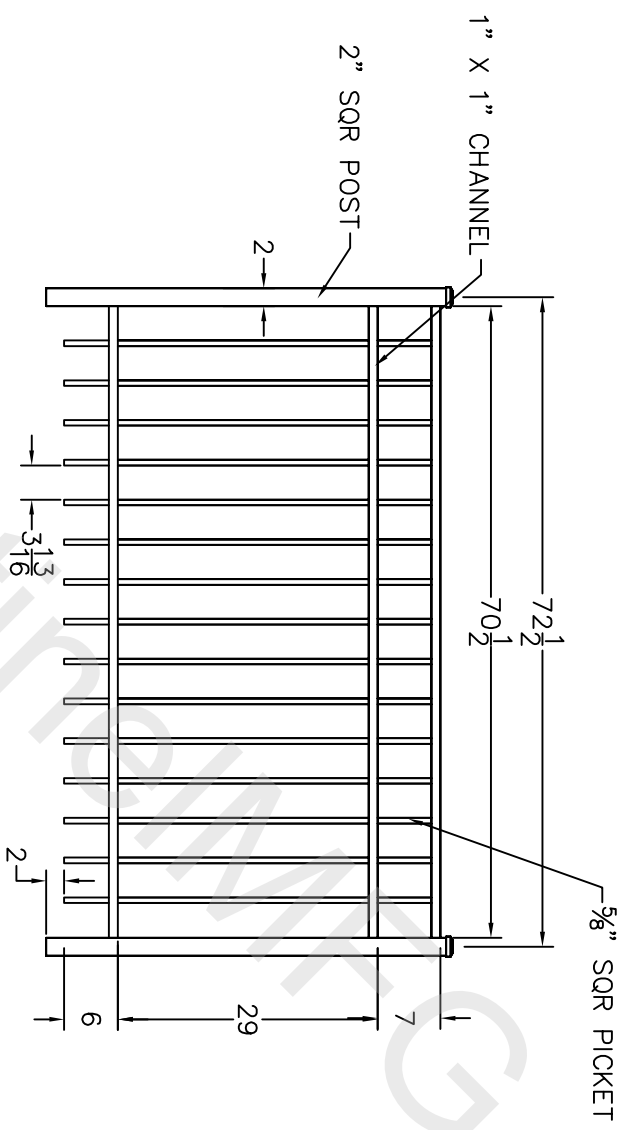


NO.	DATE	DESCRIPTION	BY	APP'D
01	07/07/12	INITIAL RELEASE		
02		REVISE COL. NAME & DRAWING NUMBER		



- NOTES:
1. ALL DIMENSIONS IN INCHES.
 2. INSTALL POSTS PER STANDARD CONSTRUCTION PRACTICES

SENTINEL MFG.
 1527 NC HWY 711
 LUMBERTON, NC 28360
 (910) 735-1351

DRAWING:
 SIERRA - 42" HT

SIZE	DWG NO.	REV
D	SI-42	NC
SCALE	DATE	SHEET
	06-06-05	1 OF 1

© 2005. This drawing may not be altered or reproduced without the permission of SENTINEL MFG.

