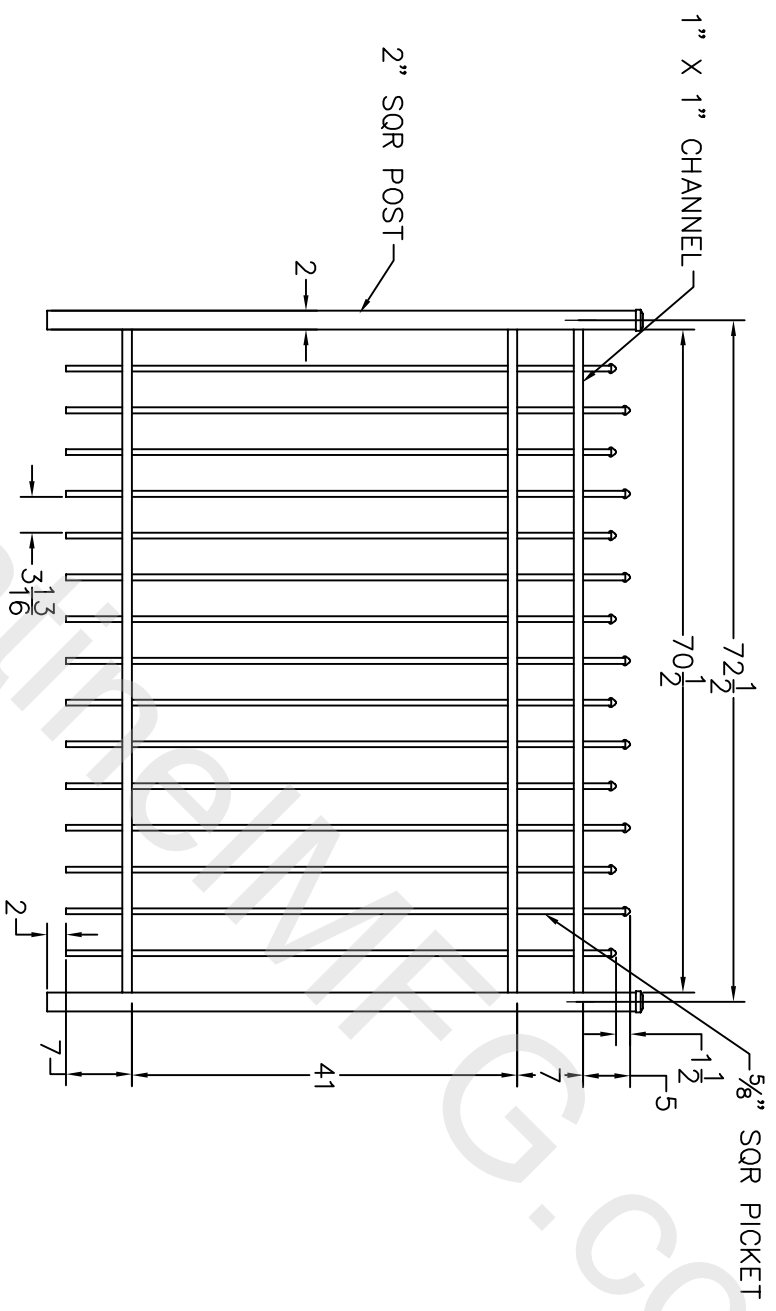


DATE	01/09/12
REVISION	
NO.	01
DESCRIPTION	REVISION CO. NAME
REV	NC
INITIAL RELEASE	
DATE	
REVISION	



- NOTES:
1. ALL DIMENSIONS IN INCHES.
 2. INSTALL POSTS PER STANDARD CONSTRUCTION PRACTICES

SENTINEL MFG.
 1527 NC HWY 711
 LUMBERTON, NC 28360
 (910) 735-1351

DRAWING:
 MANHATTAN - 60" HT

SIZE	DWG NO.	REV
D	MA-60	NC
SCALE	DATE	SHEET
	06-06-05	1 OF 1

© 2004, This drawing may not be altered or reproduced without the permission of SENTINEL MFG.