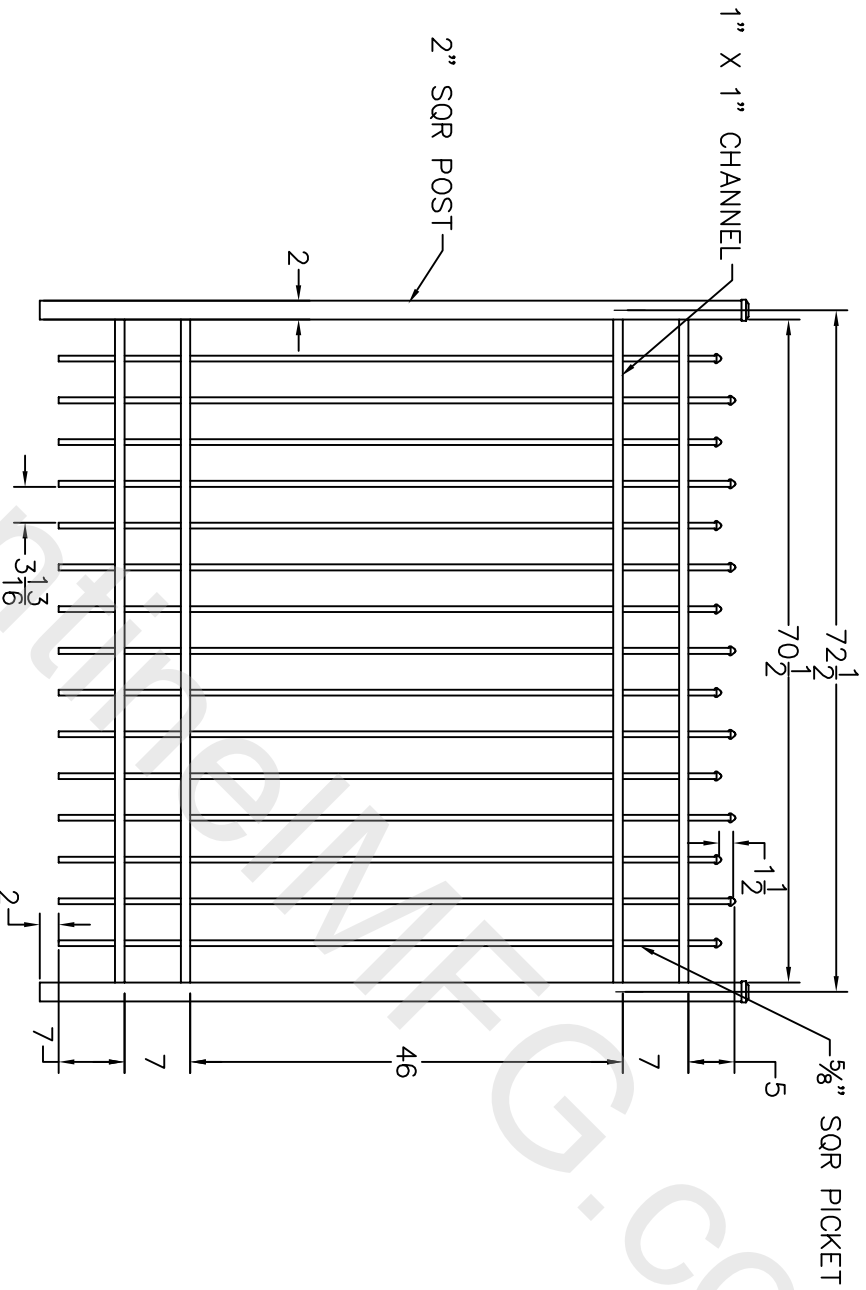


DATE	01/09/12	APPROVED
REVISION		
REV	INITIAL RELEASE	
01	REVISE CO. NAME	
01		



- NOTES:
1. ALL DIMENSIONS IN INCHES.
  2. INSTALL POSTS PER STANDARD CONSTRUCTION PRACTICES

SENTINEL MFG.  
 1527 NC HWY 711  
 LUMBERTON, NC 28360  
 (910) 735-1351

DRAWING:  
 MANHATTAN - 72" HT

SIZE	D	DWG NO.	MA-72	REV	NC
SCALE		DATE	06-06-05	SHEET	1 OF 1

© 2004. This drawing may not be altered or reproduced without the permission of SENTINEL MFG.