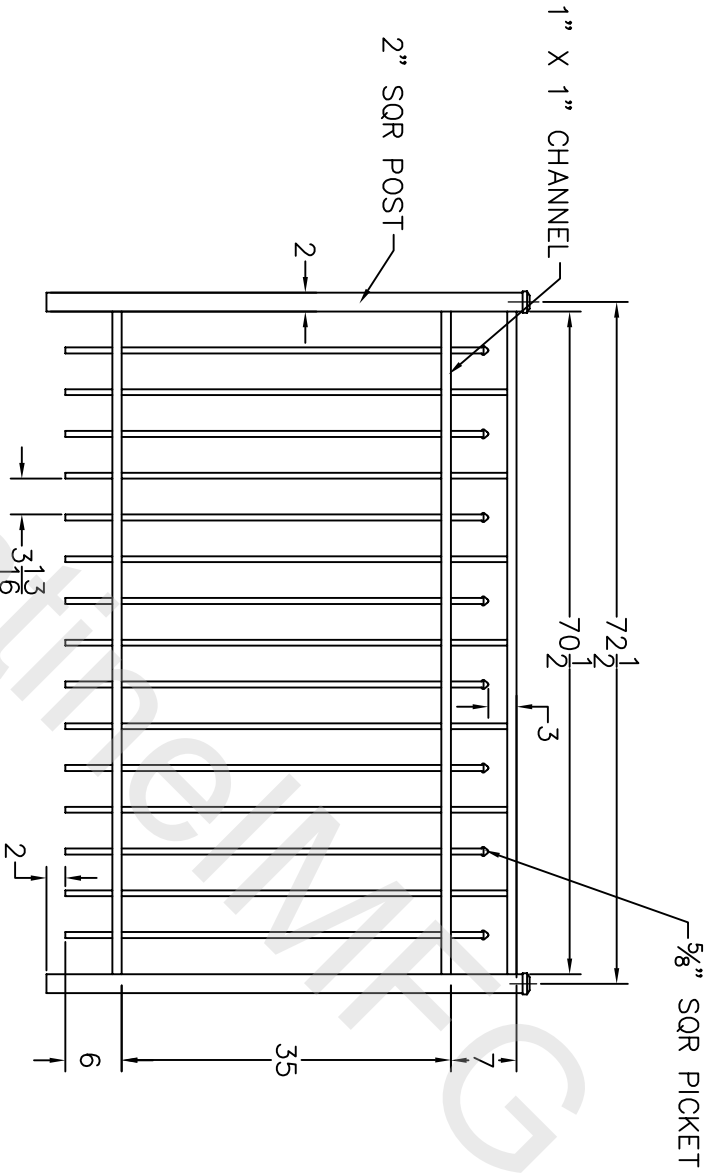


DATE	APPROVED
01/11/12	
REVISION	
NO. DESCRIPTION	
01 INITIAL RELEASE	
01 REVISE CO. NAME	



- NOTES:
1. ALL DIMENSIONS IN INCHES.
  2. INSTALL POSTS PER STANDARD CONSTRUCTION PRACTICES

SENTINEL MFG.  
 1527 NC HWY 711  
 LUMBERTON, NC 28360  
 (910) 735-1351

DRAWING:  
 OUTBACK - 48" HT

SIZE	DWG NO.	REV
D	OU-48	NC
SCALE	DATE	SHEET
	06-06-05	1 OF 1

© 2005. This drawing may not be altered or reproduced without the permission of SENTINEL MFG.

