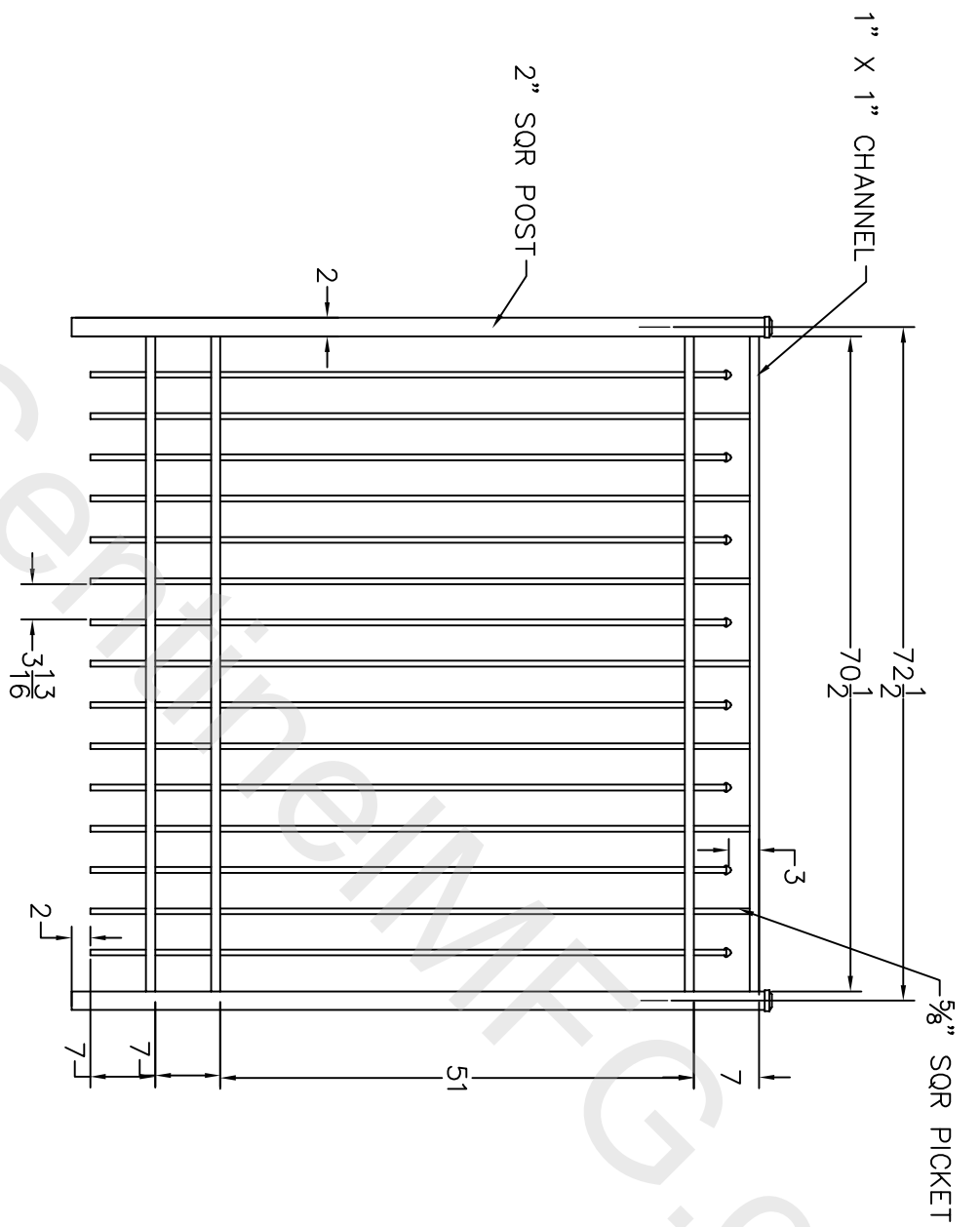


DATE	BY	DESCRIPTION	DATE	APPROVED
07/17/12	NC	INITIAL RELEASE		
	OT	REVISE CO. NAME		



- NOTES:
1. ALL DIMENSIONS IN INCHES.
 2. INSTALL POSTS PER STANDARD CONSTRUCTION PRACTICES

SENTINEL MFG.
 1527 NC HWY 711
 LUMBERTON, NC 28360
 (910) 735-1351

DRAWING:
 OUTBACK - 72" HT

SIZE	DWG NO.	REV
D	OU-72	NC
SCALE	DATE	SHEET
	06-06-05	1 OF 1

© 2004. This drawing may not be altered or reproduced without the permission of SENTINEL MFG.