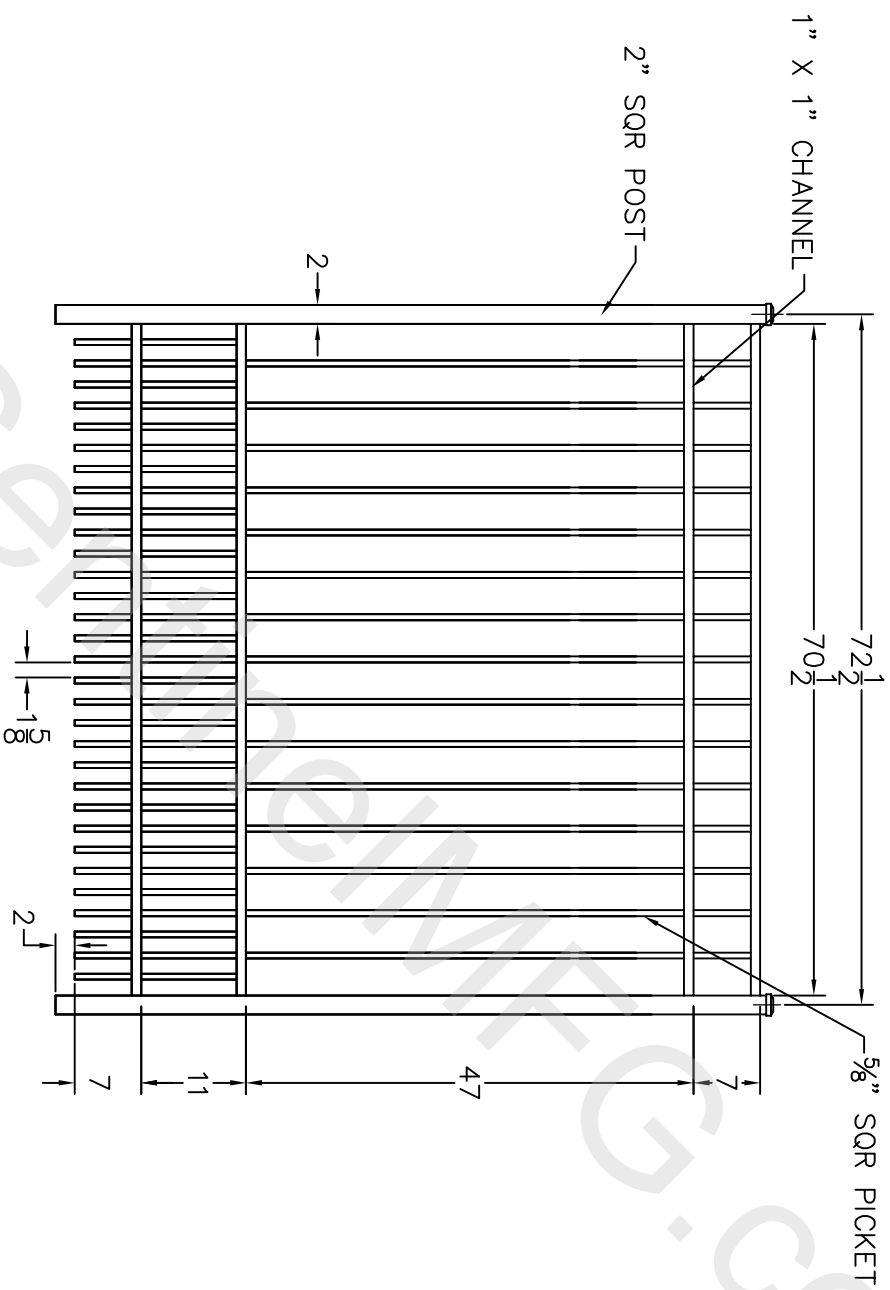


DATE	REV	DESCRIPTION	DATE	APPROVED
07/26/12	01	INITIAL RELEASE		
03/19/12	02	CHANGE DRAWING TITLE AND NUMBER		
		CHANGE CO. NAME, STRETCHED FROM 48"		



- NOTES:
1. ALL DIMENSIONS IN INCHES.
 2. INSTALL POSTS PER STANDARD CONSTRUCTION PRACTICES

SENTINEL MFG.
 1527 NC HWY 711
 LUMBERTON, NC 28360
 (910) 735-1351

DRAWING:
 PUPPY PICKET - 72" HT
 SIERRA TOP & BOTTOM

SIZE	DWG NO.	REV
D	PP-72-SI	NC
SCALE	DATE	SHEET
	06-06-06	1 OF 1

© 2006. This drawing may not be altered or reproduced without the permission of SENTINEL MFG.