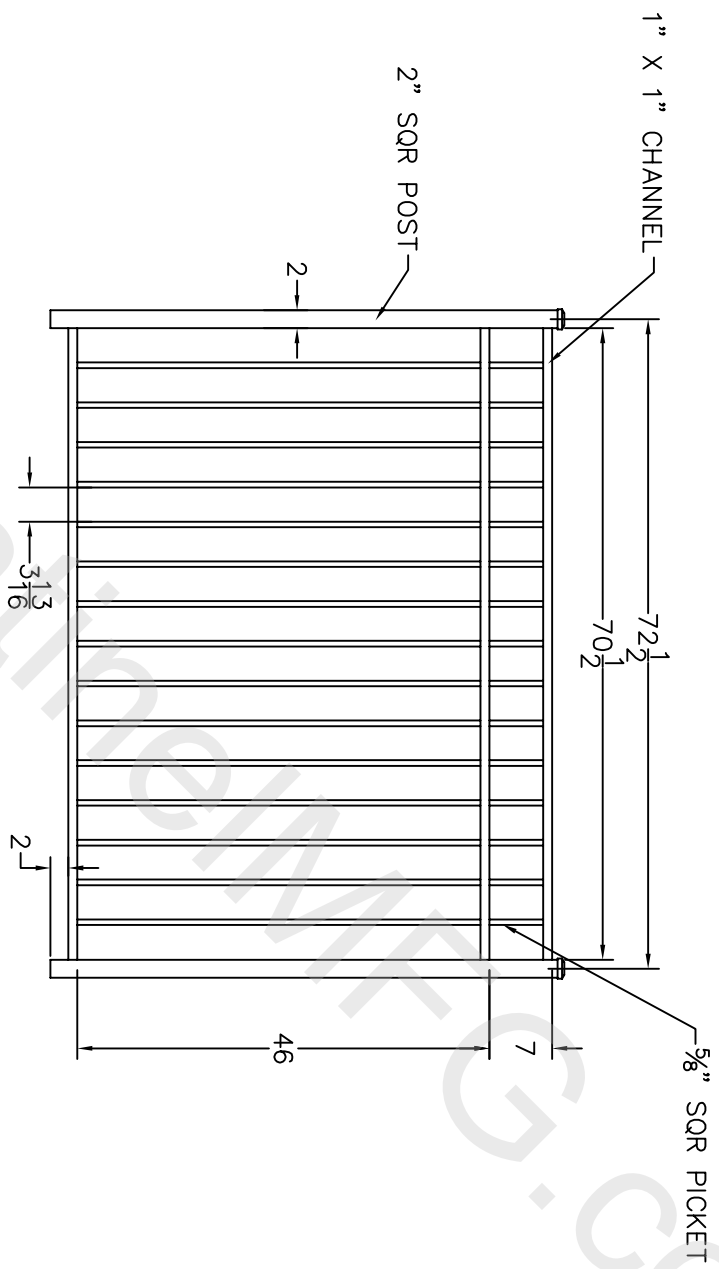


NO.	DATE	DESCRIPTION	BY	APP'D
01	06/10/13	INITIAL RELEASE		
		REVISE CD. NAME		



- NOTES:
1. ALL DIMENSIONS IN INCHES.
 2. INSTALL POSTS PER STANDARD CONSTRUCTION PRACTICES

SENTINEL MFG.
 1527 NC HWY 711
 LUMBERTON, NC 28360
 (910) 735-1351

DRAWING:
 SIERRA - 54" HT
 DROP RAIL

SIZE	DWG NO.	REV.
D	SI-54-DR	NC
SCALE	DATE	SHEET
	06-06-05	1 OF 1

© 2004 This drawing may not be altered or reproduced without the permission of SENTINEL MFG.

