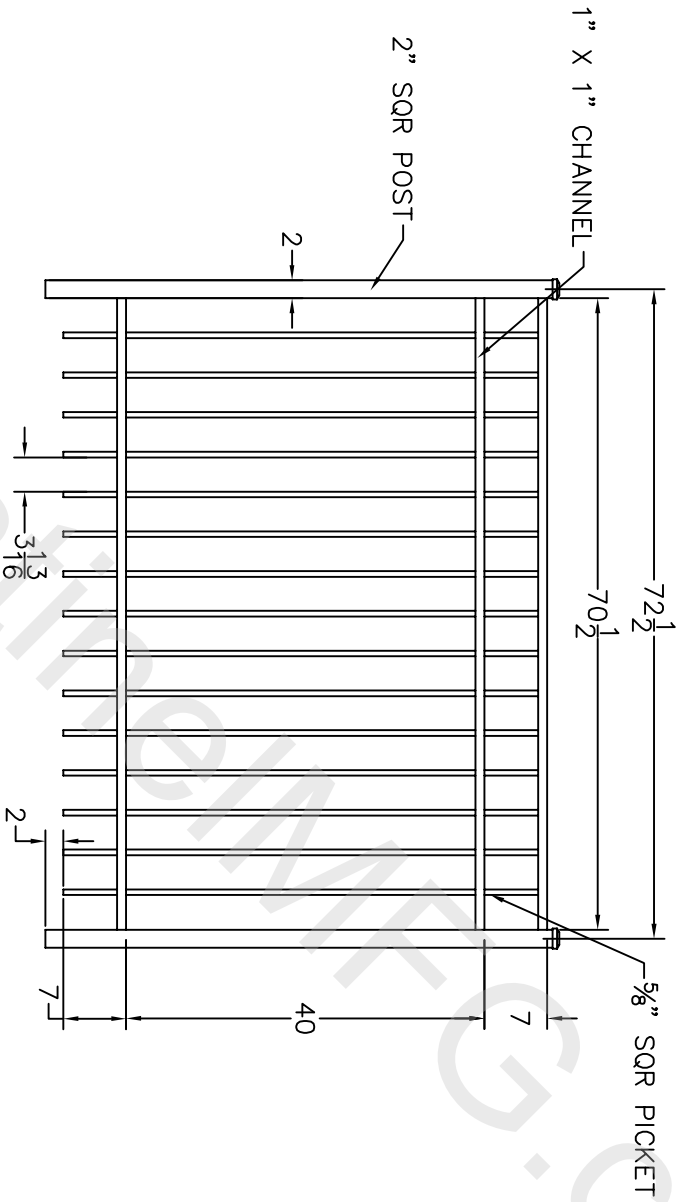


DATE	DESCRIPTION	BY	APPROVED
07/03/12	INITIAL RELEASE		
07/28/12	REVISE C&M NAME		
07/28/12	CORRECT TYPICAL DIMENSIONS		



- NOTES:
1. ALL DIMENSIONS IN INCHES.
 2. INSTALL POSTS PER STANDARD CONSTRUCTION PRACTICES

SENTINEL MFG.
 1527 NC HWY 711
 LUMBERTON, NC 28360
 (910) 735-1351

DRAWING:
 SIERRA - 54" HT

SIZE	DWG NO.	REV.
D	SI-54	NC
SCALE	DATE	SHEET
	06-06-05	1 OF 1

© 2004. This drawing may not be altered or reproduced without the permission of SENTINEL MFG.