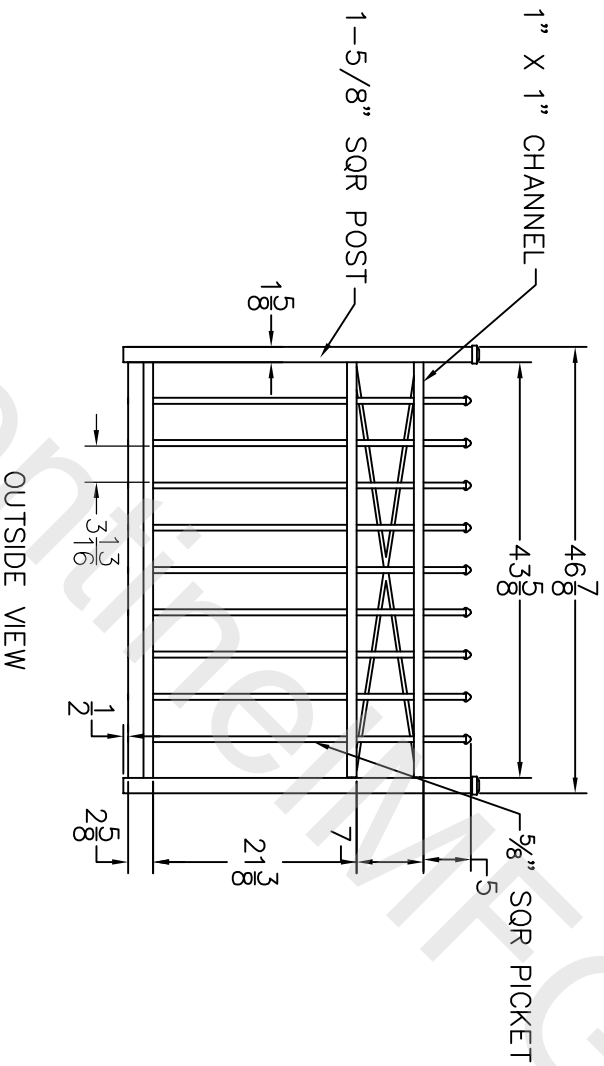


DATE	REV	DESCRIPTION	APPROVED
-	NC	INITIAL RELEASE	02/07/12
-	01	REVISED FROM 48X48 HD GATE	03/19/12
-	02	CORRECT DRAWING NAME	



OUTSIDE VIEW

- NOTES:
1. ALL DIMENSIONS IN INCHES.
 2. INSTALL POSTS PER STANDARD CONSTRUCTION PRACTICES

© 2004. This drawing may not be altered or reproduced without the permission of SENTINEL MFG.

SENTINEL MFG.
 1527 NC HWY 711
 LUMBERTON, NC 28360
 (910) 735-1351

DRAWING:
 APPALACHIAN GATE-
 SUPER HEAVY DUTY
 36"HT X 48" WD

SIZE	DWG NO.	DATE	SHEET	REV
D	AP-36HX48W-SHD	02-01-12	1 OF 1	NC