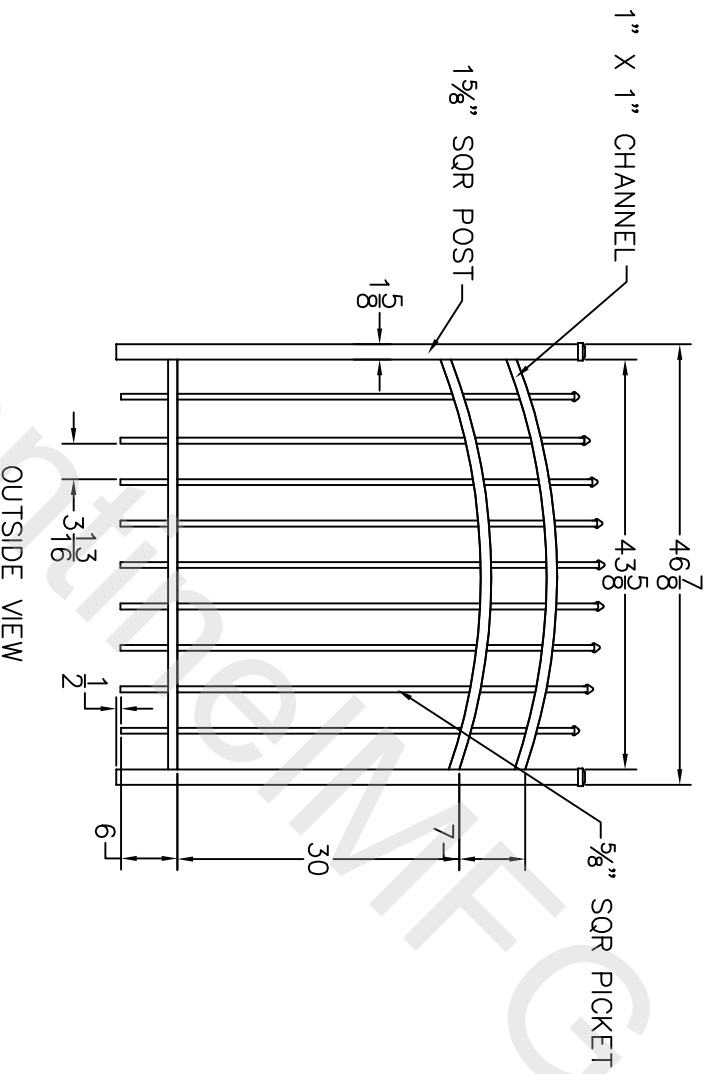


DATE	REVISION	DATE	APPROVED
02/01/13			
REV	DESCRIPTION		
01	INITIAL RELEASE		
01	REVISED CO. NAME		



OUTSIDE VIEW

NOTES:

1. ALL DIMENSIONS IN INCHES.
2. INSTALL POSTS PER STANDARD CONSTRUCTION PRACTICES

SENTINEL MFG.  
 1527 NC HWY 711  
 LUMBERTON, NC 28360  
 (910) 735-1351

DRAWING:  
 APPALACHIAN ARCHED GATE-  
 48"HT X 48" WD

SIZE	DWG NO.	DATE	SHEET	REV
D	AP-48HX48W-AR	06-06-05	1 OF 1	NC
SCALE				

© 2004. This drawing may not be altered or reproduced without the permission of SENTINEL MFG.