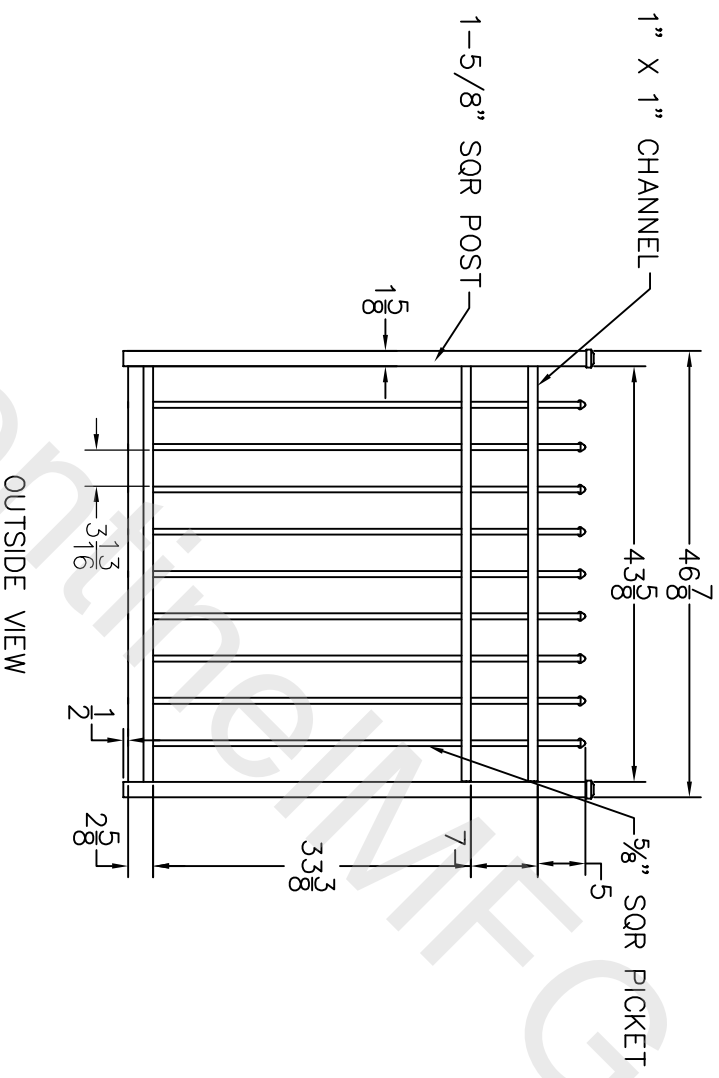


DATE	REV	DESCRIPTION	DATE	APPROVED
02/07/12	01	INITIAL RELEASE DRAWN FROM 54X35 HD APPALACHIAN		



OUTSIDE VIEW

- NOTES:
1. ALL DIMENSIONS IN INCHES.
  2. INSTALL POSTS PER STANDARD CONSTRUCTION PRACTICES

© 2004. This drawing may not be altered or reproduced without the permission of SENTINEL MFG.

SENTINEL MFG.  
1527 NC HWY 711  
LUMBERTON, NC 28360  
(910) 735-1351

DRAWING:  
APPALACHIAN GATE-  
HEAVY DUTY  
48"HT X 48" WD

SIZE	DWG NO.	DATE	REV
D	AP-48HX48W-HD	02-01-12	D NC

SCALE: 1 OF 1