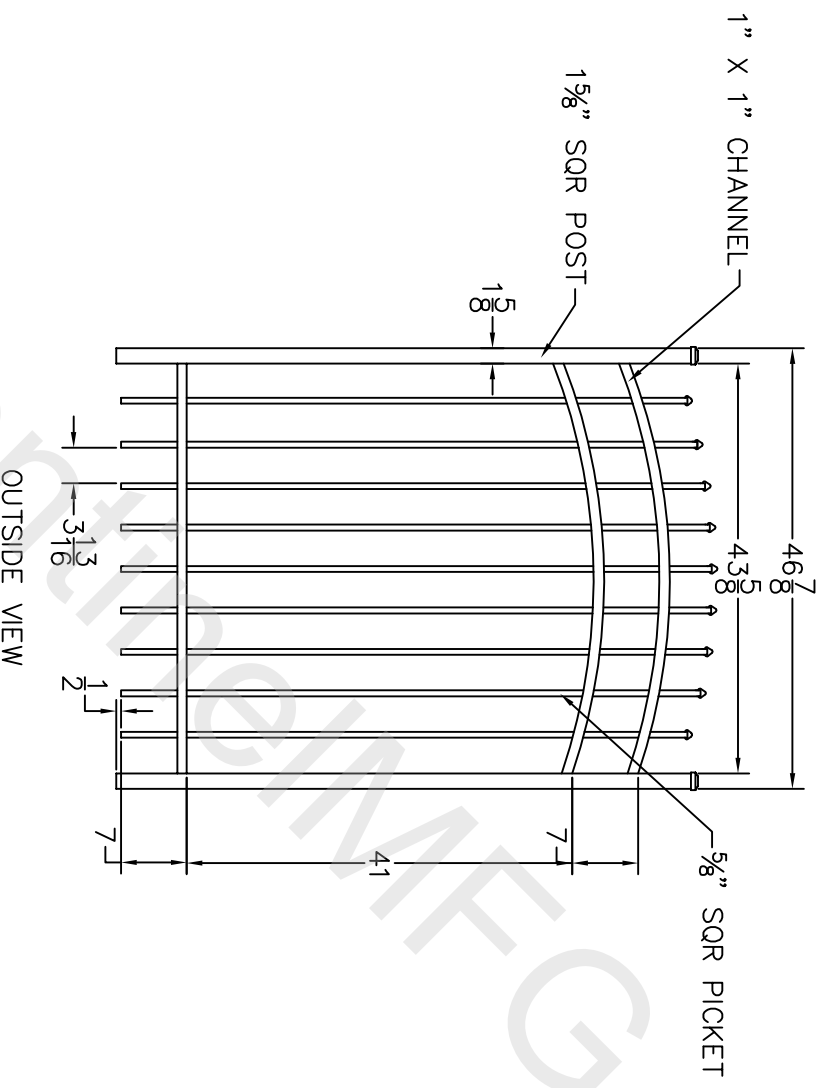


REV	DESCRIPTION	DATE	APPROVED
01	INITIAL RELEASE	02-01-12	
01	REVISED FROM 48X48 ARCHED GATE		



OUTSIDE VIEW

NOTES:

1. ALL DIMENSIONS IN INCHES.
2. INSTALL POSTS PER STANDARD CONSTRUCTION PRACTICES

SENTINEL MFG.
 1527 NC HWY 711
 LUMBERTON, NC 28360
 (910) 735-1351

DRAWING:
 APPALACHIAN ARCHED GATE-
 60"HT X 48" WD

SIZE	DWG NO.	DATE	SHEET	REV
D	AP-60HX48W-AR	02-01-12	1 OF 1	NC
SCALE				

© 2004. This drawing may not be altered or reproduced without the permission of SENTINEL MFG.