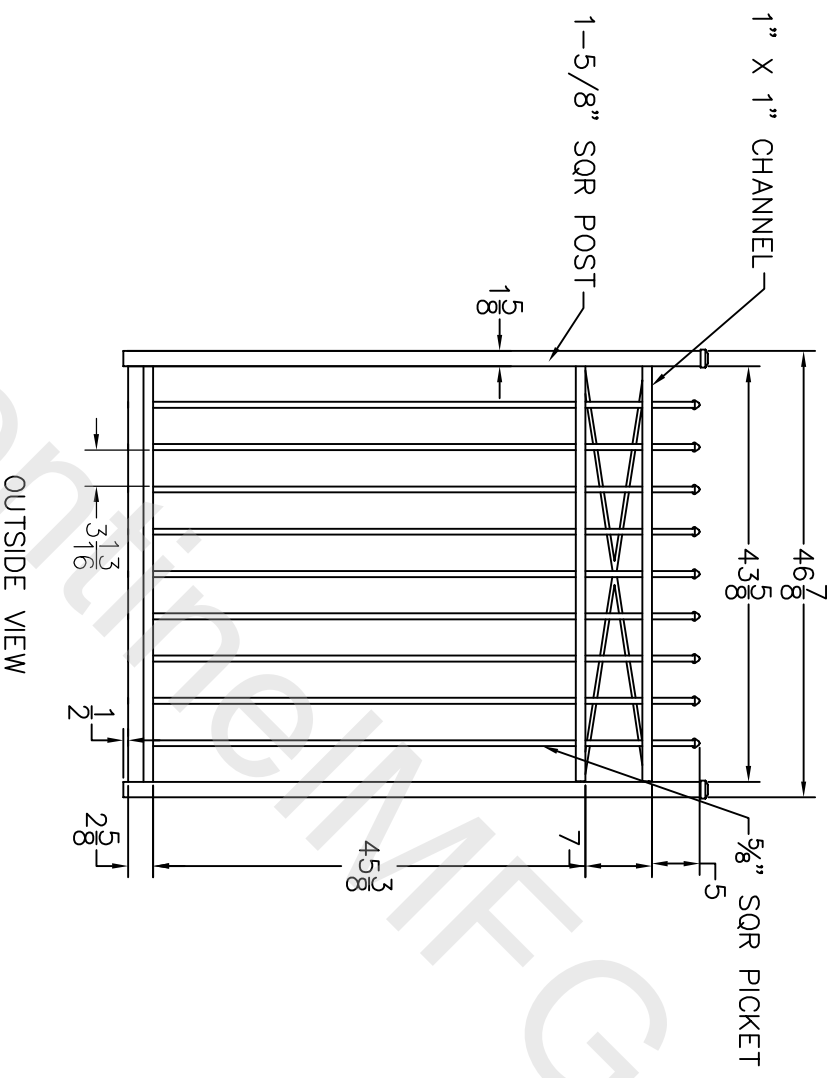


DATE	REV	DESCRIPTION	ISSUED	DATE	APPROVED
-	NC	INITIAL RELEASE		02/07/12	
-	01	REVISED FROM 48X48 HD GATE		03/19/12	
-	02	CORRECT DRAWING NAME		03/19/12	



OUTSIDE VIEW

- NOTES:
1. ALL DIMENSIONS IN INCHES.
 2. INSTALL POSTS PER STANDARD CONSTRUCTION PRACTICES

© 2004. This drawing may not be altered or reproduced without the permission of SENTINEL MFG.

SENTINEL MFG.
 1527 NC HWY 711
 LUMBERTON, NC 28360
 (910) 735-1351

DRAWING:
 APPALACHIAN GATE-
 SUPER HEAVY DUTY
 60"HT X 48" WD

SIZE D DWG NO. AP-60HX48W-SHD
 SCALE DATE 02-01-12 SHEET 1 OF 1