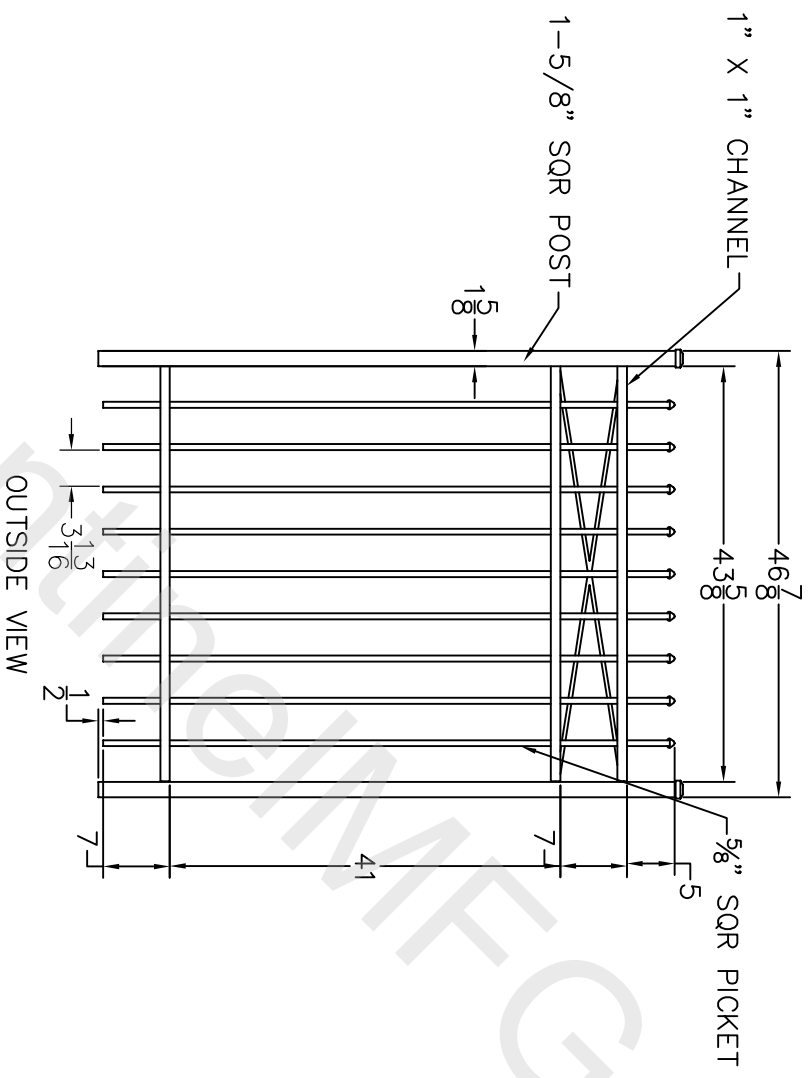


| DATE | BY | DESCRIPTION | DATE | APPROVED |
|----------|----|-----------------------------|------|----------|
| 02/07/12 | NC | INITIAL RELEASE | | |
| | OT | REVISE FROM 48X48 STD. GATE | | |



OUTSIDE VIEW

- NOTES:
1. ALL DIMENSIONS IN INCHES.
 2. INSTALL POSTS PER STANDARD CONSTRUCTION PRACTICES

SENTINEL MFG.
 1527 NC HWY 711
 LUMBERTON, NC 28360
 (910) 735-1351

DRAWING:
 APPALACHIAN GATE-
 60"HT X 48" WD

| | | | | |
|-------|------------|----------|--------|-----|
| SIZE | DWG NO. | DATE | SHEET | REV |
| D | AP-60HX48W | 02-01-12 | 1 OF 1 | NC |
| SCALE | | | | |

© 2004. This drawing may not be altered or reproduced without the permission of SENTINEL MFG.