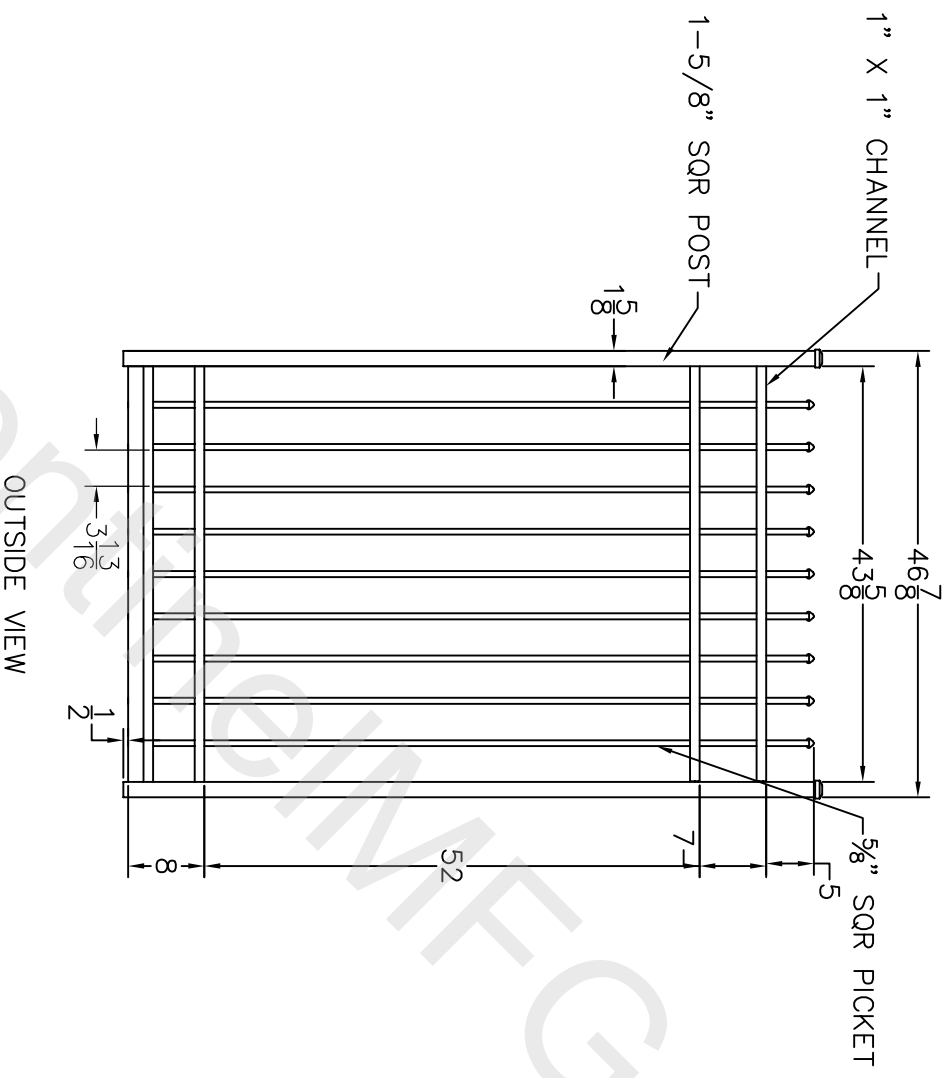


DATE	REV	DESCRIPTION	DATE	APPROVED
-	NC	INITIAL RELEASE		
-	OT	REVISED FROM 48X48 HD GATE	02/07/12	



OUTSIDE VIEW

© 2004. This drawing may not be altered or reproduced without the permission of SENTINEL MFG.

- NOTES:
1. ALL DIMENSIONS IN INCHES.
 2. INSTALL POSTS PER STANDARD CONSTRUCTION PRACTICES

SENTINEL MFG.
 1527 NC HWY 711
 LUMBERTON, NC 28360
 (910) 735-1351

DRAWING:
 APPALACHIAN GATE-
 HEAVY DUTY
 72"HT X 48" WD

SIZE	DWG NO	DATE	SHEET	REV
D	AP-72HX48W-HD	02-01-12	1 OF 1	NC
SCALE				