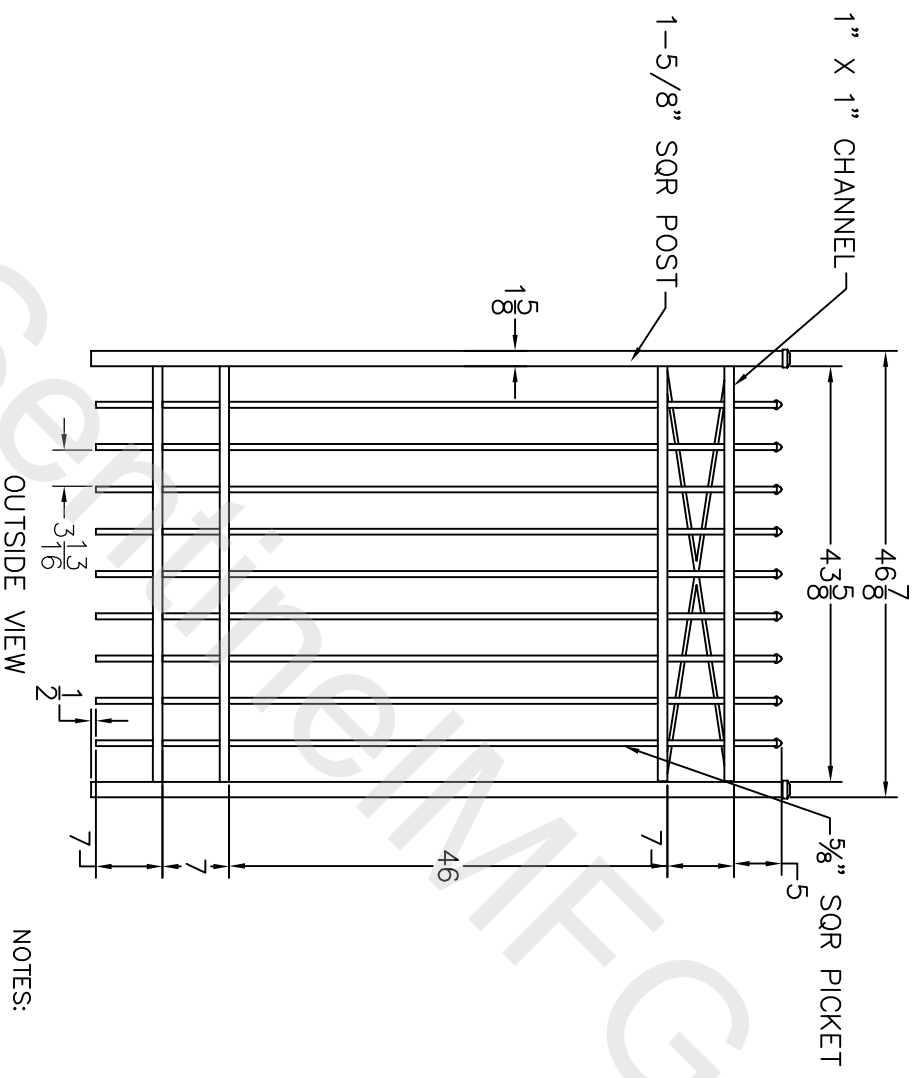


DATE	REV	DESCRIPTION	DATE	APPROVED
02/07/12	01	INITIAL RELEASE		
	02	REVISE FROM 48X48 STD. GATE		



OUTSIDE VIEW

NOTES:

1. ALL DIMENSIONS IN INCHES.
2. INSTALL POSTS PER STANDARD CONSTRUCTION PRACTICES

SENTINEL MFG.  
 1527 NC HWY 711  
 LUMBERTON, NC 28360  
 (910) 735-1351

DRAWING:  
 APPALACHIAN GATE-  
 72"HT X 48" WD

SIZE	DWG NO.	DATE	SHEET	REV
D	AP-72HX48W	02-01-12	1 OF 1	NC

© 2004. This drawing may not be altered or reproduced without the permission of SENTINEL MFG.